



Saturday, Apr 9th 2022

Stage Conventions:

"Default" starting position is standing upright, hands at sides and not touching anything unless otherwise indicated. "Default" is still required for the rest of your body when hand(s) have a specific position. i.e. "hands on hat" does not allow shooter to be bent over the gun.

"At the ready" starting position is standing any way shooter desires, not touching ammo or guns.

Starting position is at center of position unless otherwise indicated.

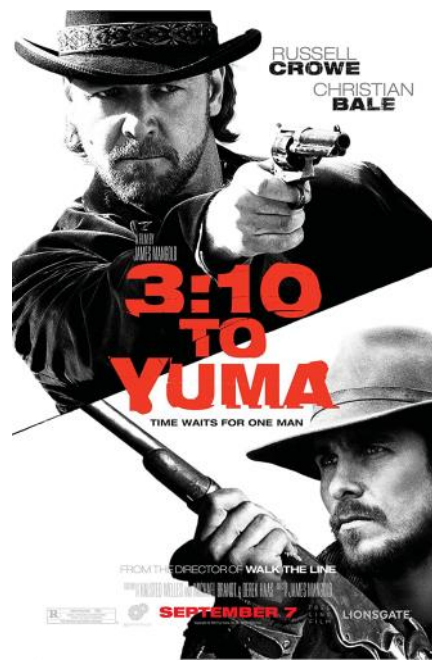
For lateral movement, to be in position at least one foot must be behind prop.

For downrange movement, to be in position shooter must be close enough to the prop to ground or stage a gun without taking a step.

Duelist may rest butt of shotgun on prop instead of staging.

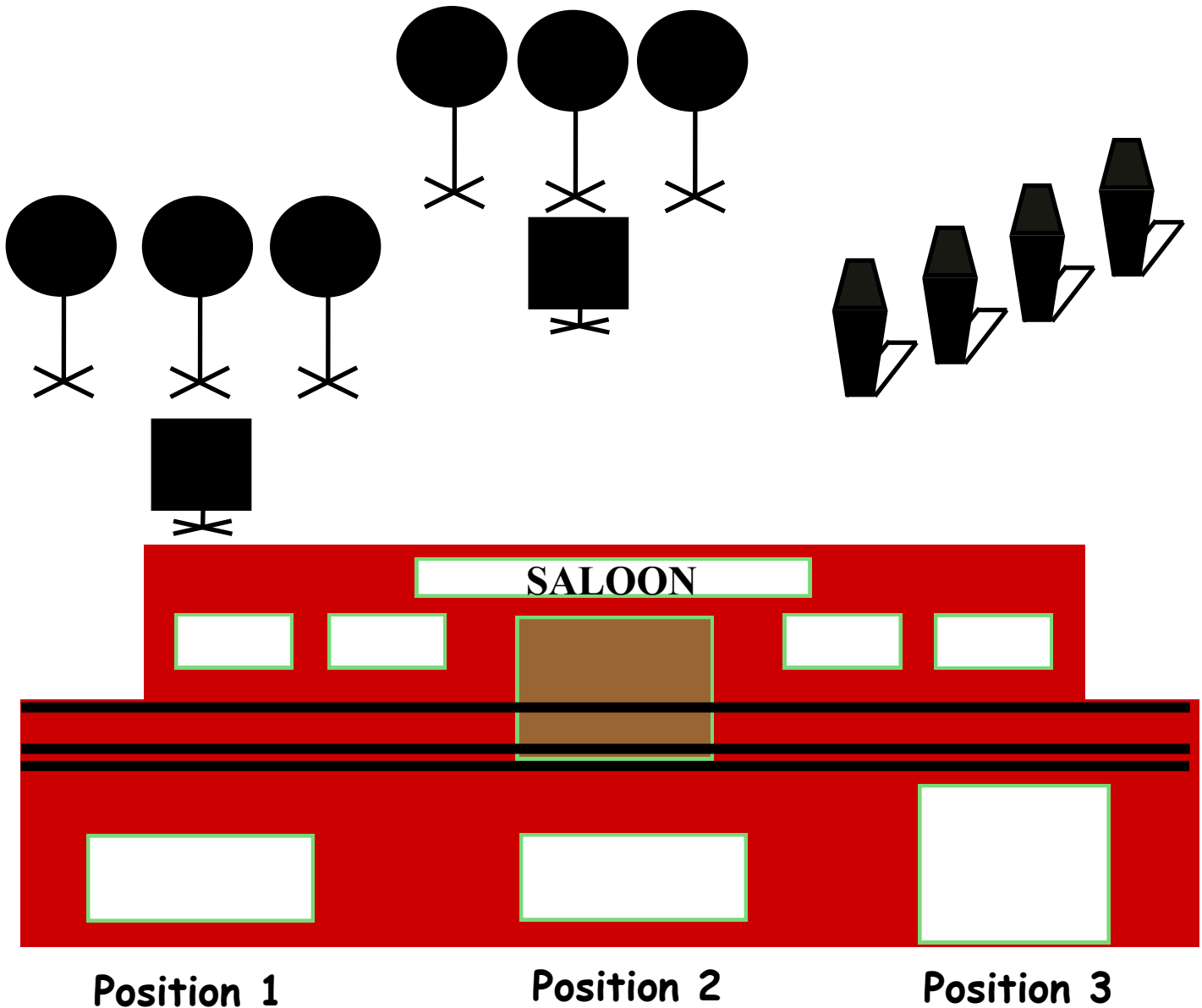
Targets are to be engaged as specified unless stage instruction provides options. EXAMPLE is provided for clarity when there are options.

Comstock Rules: All S/G targets MAY be re-engaged "Comstock Rules." S/G targets may be re-engaged at the end of the shotgun string or at the moment they've been missed, unless the stage description says otherwise. S/G targets should be re-engaged from where they were initially engaged.



Stage 1

10 Pistol, 10 Rifle, 4+Shotgun

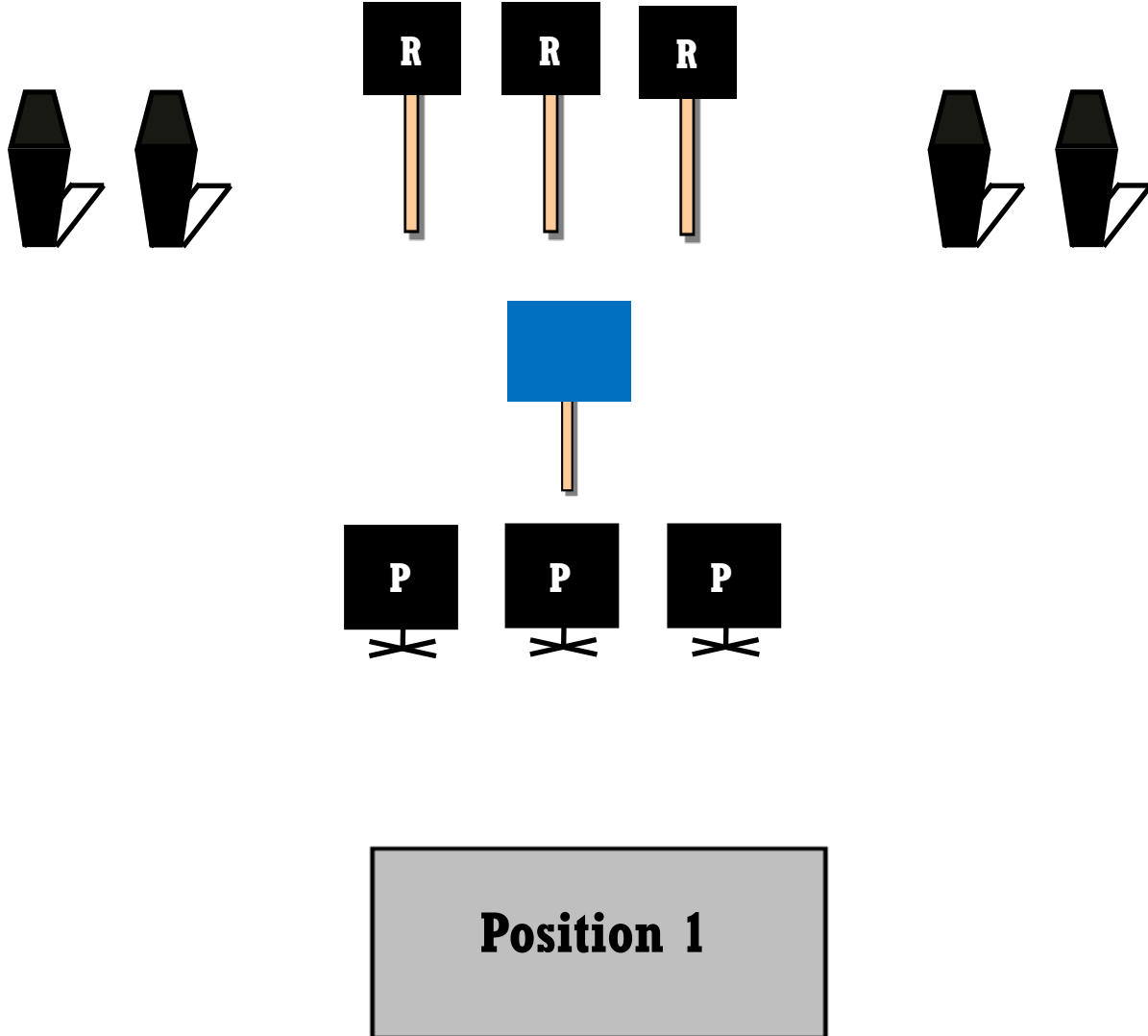


Stage shot left to right. Pistols ~ Rifle ~ SG. Rifle loaded with 10 rounds and open and empty shotgun staged at position 2. Pistols loaded with 5 rounds each and holstered. Shooter starts with hand or hands on pistol or pistols. When ready, shooter says: "I've always liked you Byron, but you've never known when to shut up"
ATB with pistols double tap the square and sweep the circles from either end then repeat. At position 2 with rifle shoot as per pistol instructions. From position 3 engage the 4 shotgun targets in any order.
May start with the double on the square or the sweep.

Take timer to next stage, but leave the spotting flags

Stage 2

10 Pistol, 10 Rifle, 4+Shotgun

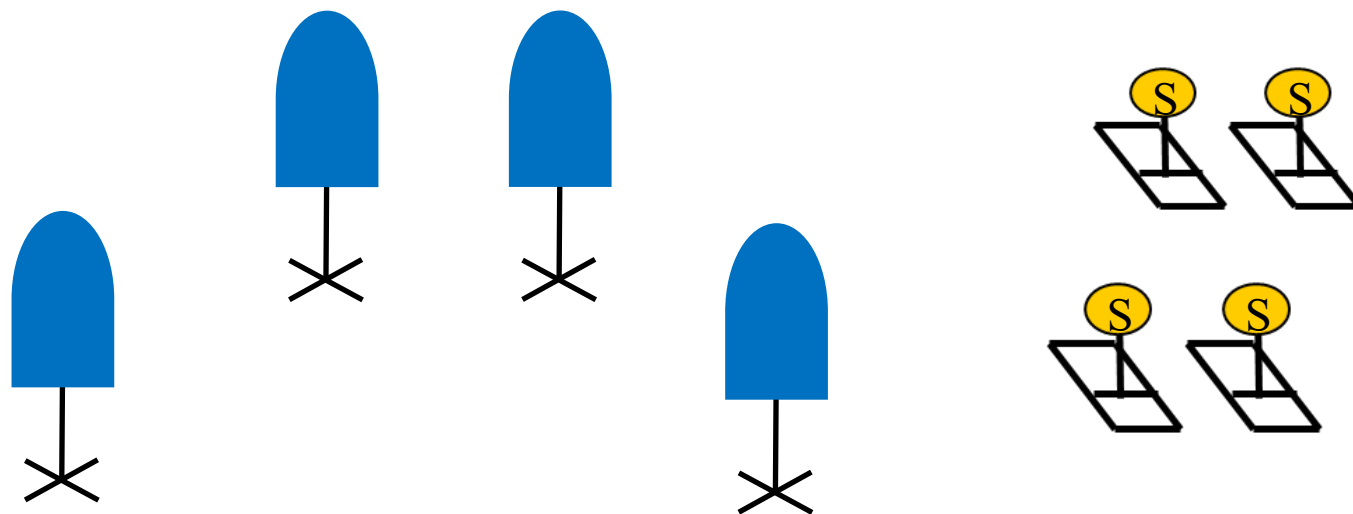


Stage shot shooters choice, rifle may not be last. Start anywhere behind table at position 1 with hands at low surrender. Rifle loaded with 10 rounds and open and empty shotgun staged on table at position 1, pistols loaded with 5 rounds each and holstered. When ready, shooter says: "Be careful with that thing. That gun's got a curse on it." ATB with rifle triple tap sweep the 3 rear squares starting on either end and place a single round on the blue square. With pistols repeat rifle instructions on the 3 front squares and the blue target. With shotgun engage the 4 shotgun targets in any order. May start on blue square or start with the sweep.

Take timer to next stage, but leave the spotting flags

Stage 3

10 Pistol, 10 Rifle, 4+Shotgun



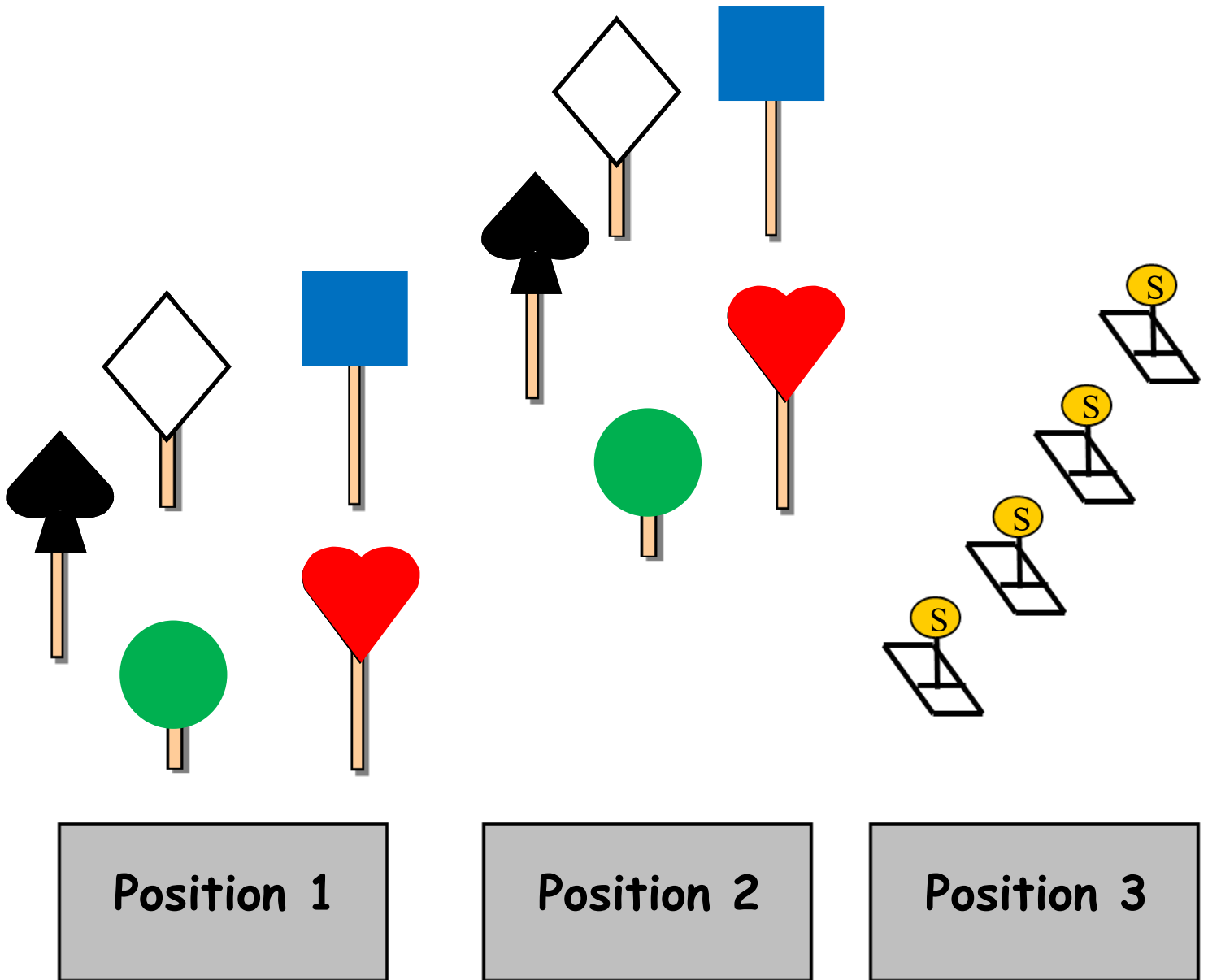
Position 3

Stage shot left to right. Start with both feet anywhere behind table at position 1 "at the ready". Rifle loaded with 10 rounds staged at position 1 or 2, open and empty shotgun staged at position 2, pistols loaded with 5 rounds each and holstered. To signify ready, shooter says: "Finally a patient I can carry on a conversation with" ATB, Using both positions 1 & 2 with rifle & pistols sweep the four tombstones with an 1883 sweep starting from either end. Retrieve shotgun and from position 3 engage 4 shotgun targets in any order. Position 3 is anywhere completely clear and to the right side of the cactus. You may not shoot OVER the cactus. SG barrels must be clearly to the right side of it. Shooter must have at least one foot behind table at position 2. Whether shooter starts sweep from left or right it must be an 1 - 8 - 8 - 3 sweep

Take timer to next stage, but leave the spotting flags

Stage 4

10 Pistol, 10 Rifle, 4+Shotgun



Stage shot shooters choice but rifle may not be last. Start with hands touching firearm(s) of choice with both feet anywhere behind corresponding table. Rifle loaded with 10 rounds staged at position 2, open and empty shotgun staged anywhere safely, pistols loaded with 5 rounds each and holstered.

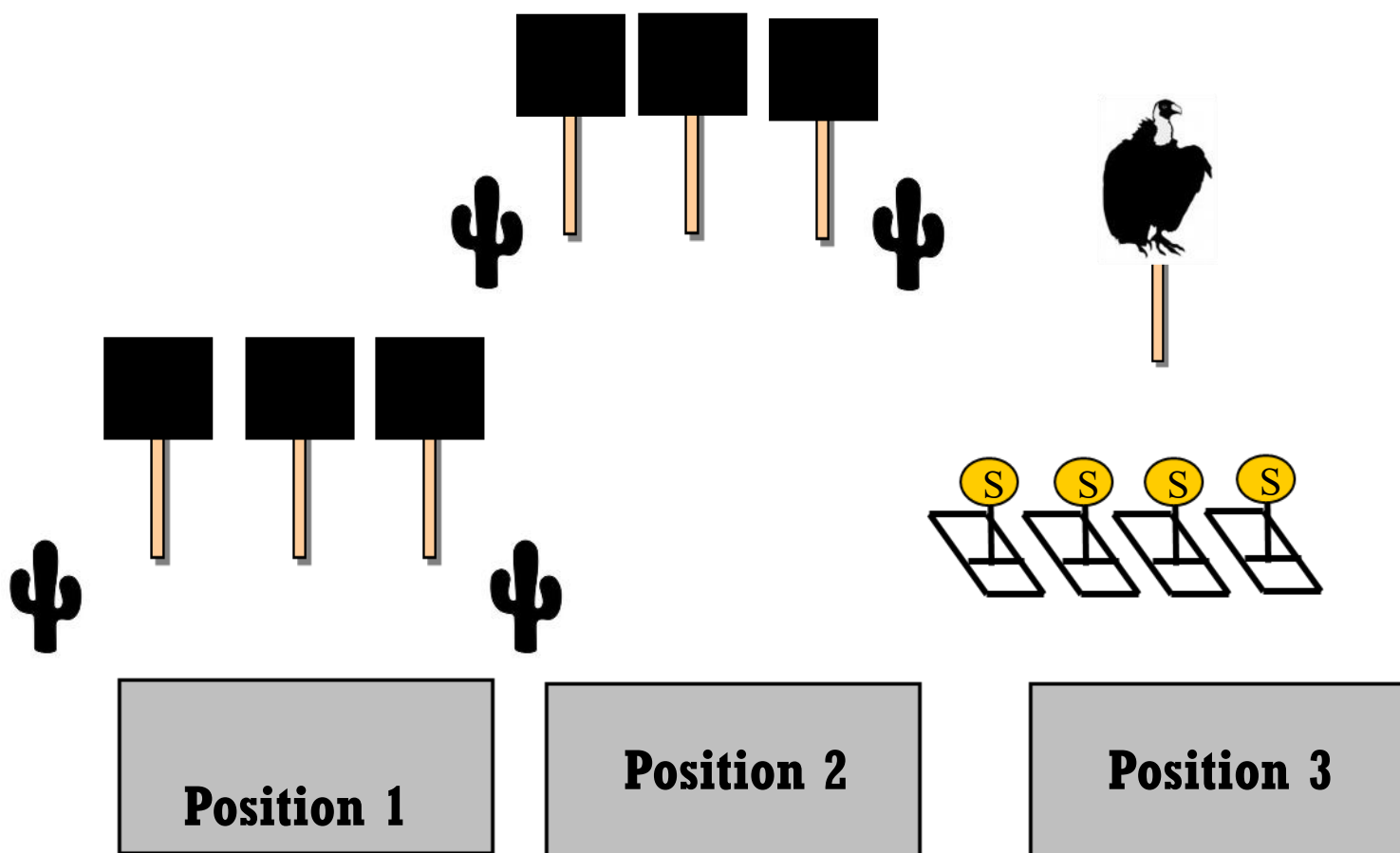
To signify ready, shooter says: "You spared no expense this time, Byron"
ATB, from position 1 with pistols place 2 rounds on each target in any order, sequence or direction. From position 2 with rifle repeat pistol instructions. From position 3 engage the 4 shotgun targets in any order.

After initial starting position is complete, shooter must have a least one foot behind table of remaining 2 positions

Take timer to next stage, but leave the spotting flags

Stage 5

10 Pistol, 10 Rifle, 4+Shotgun



Stage shot shooters choice, rifle may not be last. Rifle loaded with 10 rounds staged at position 2, open and empty shotgun staged at position 3, pistols loaded with 5 rounds each and holstered. Start with both feet anywhere behind table at position of choice with both hands flat on table.

To signify ready, shooter says: "Even bad men love their mommas"

ATB from position 1 with pistols sweep the squares from either end with a 3-2-3 sweep and engage the 2 knock downs ONCE each only for a total of 10 rounds. From position 2 with rifle repeat the pistol instructions. From position 3 engage the 4 shotgun targets in any order.

Knock downs can be engaged at any time, but must not interrupt the 3-2-3 sweep.

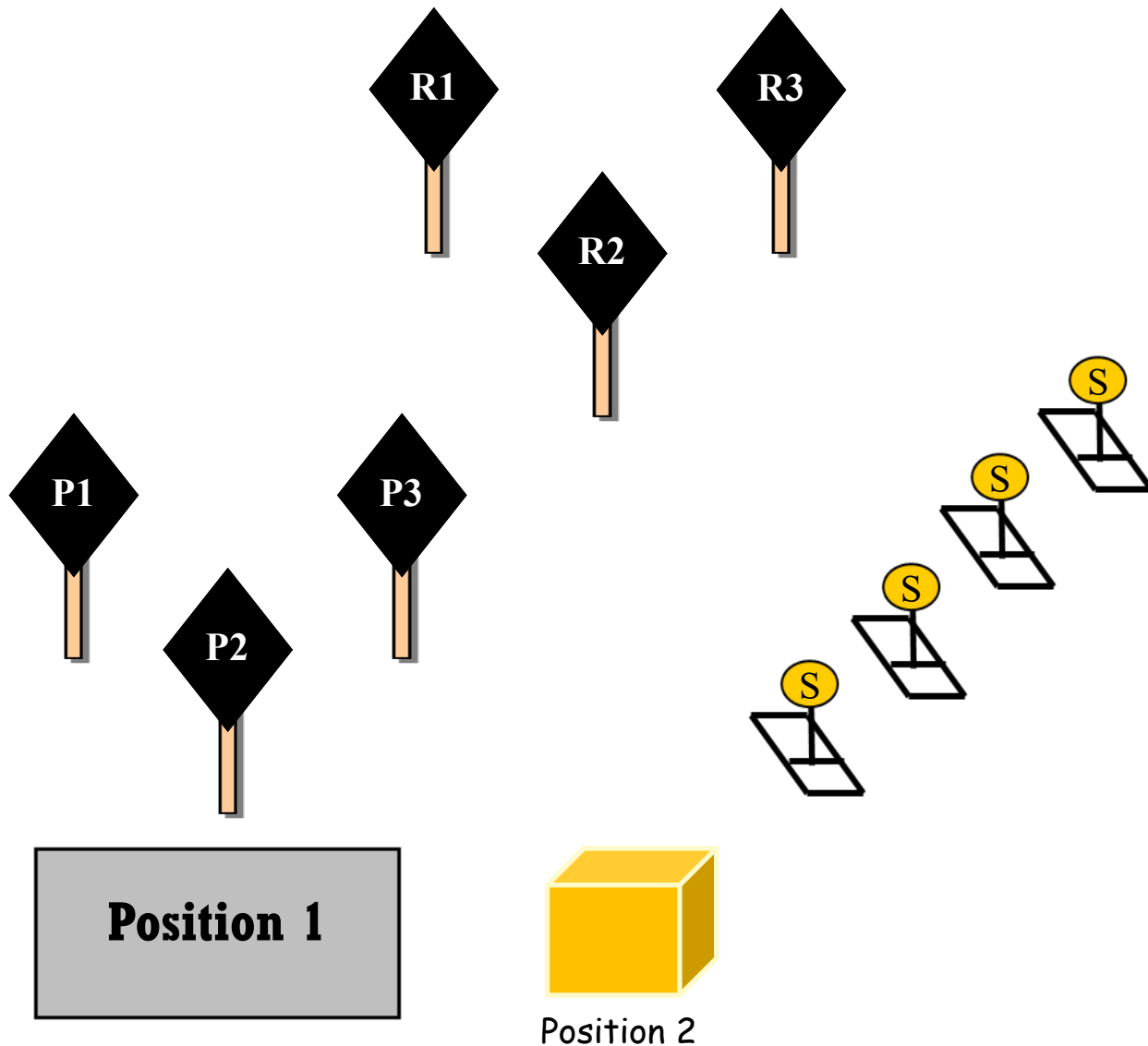
Any knock downs left standing can be made up on the buzzard with shotgun only after the 4 shotgun target have been knocked down.

After initial starting position is complete, shooter must have a least one foot behind table of remaining 2 positions

Take timer to next stage, but leave the spotting flags

Stage 6

10 Pistol, 10 Rifle, 4+Shotgun



Start at hay bale, position 2 with loaded shotgun in hands. DO NOT LOAD SHOTGUN UNTIL INSTRUCTED TO DO SO BY T.O. Rifle staged at hay bale position 2, pistols loaded with 5 rounds each and holstered

Shooting sequence is SG ~ Rifle ~ Pistols

To signify ready, shooter says: "For God's sake, he's killed more men than the drought". ATB engage the 4 shotgun targets till down. Make Shotgun safe on hay bale, retrieve rifle and engage R1-R3 with a continuous 10 round Rattlesnake Roll. Make rifle safe at hay bale or take with you to position 1 and make safe. From position 1 with pistols engage P1-P3 as per rifle instructions.

Rattlesnake Roll. R1-R3-R2-R2-R1-R3-R2-R2-R1-R3 or R3-R1-R2-R2-R3-R1-R2-R2-R3-R1

Take timer to next stage, but leave the spotting flags