



Saturday, Mar 13th 2021



Stage Conventions:



"Default" starting position is standing up-right, hands at sides and not touching anything unless otherwise indicated. "Default" is still required for the rest of your body when hand(s) have a specific position. i.e. "hands on hat" does not allow shooter to be bent over the gun.

"At the ready" starting position is standing any way shooter desires, not touching ammo or guns.

Starting position is at center of position unless otherwise indicated.

For lateral movement, to be in position at least one foot must be behind prop.

For downrange movement, to be in position shooter must be close enough to the prop to ground or stage a gun without taking a step. Duelist may rest butt of shotgun on prop instead of staging.

Targets are to be engaged as specified unless stage instruction provides options. EXAMPLE is provided for clarity when there are options.

Comstock Rules: All S/G targets MAY be re-engaged "Comstock Rules." S/G targets may be re-engaged at the end of the shotgun string or at the moment they've been missed, unless the stage description says otherwise. S/G targets should be re-engaged from where they were initially engaged.

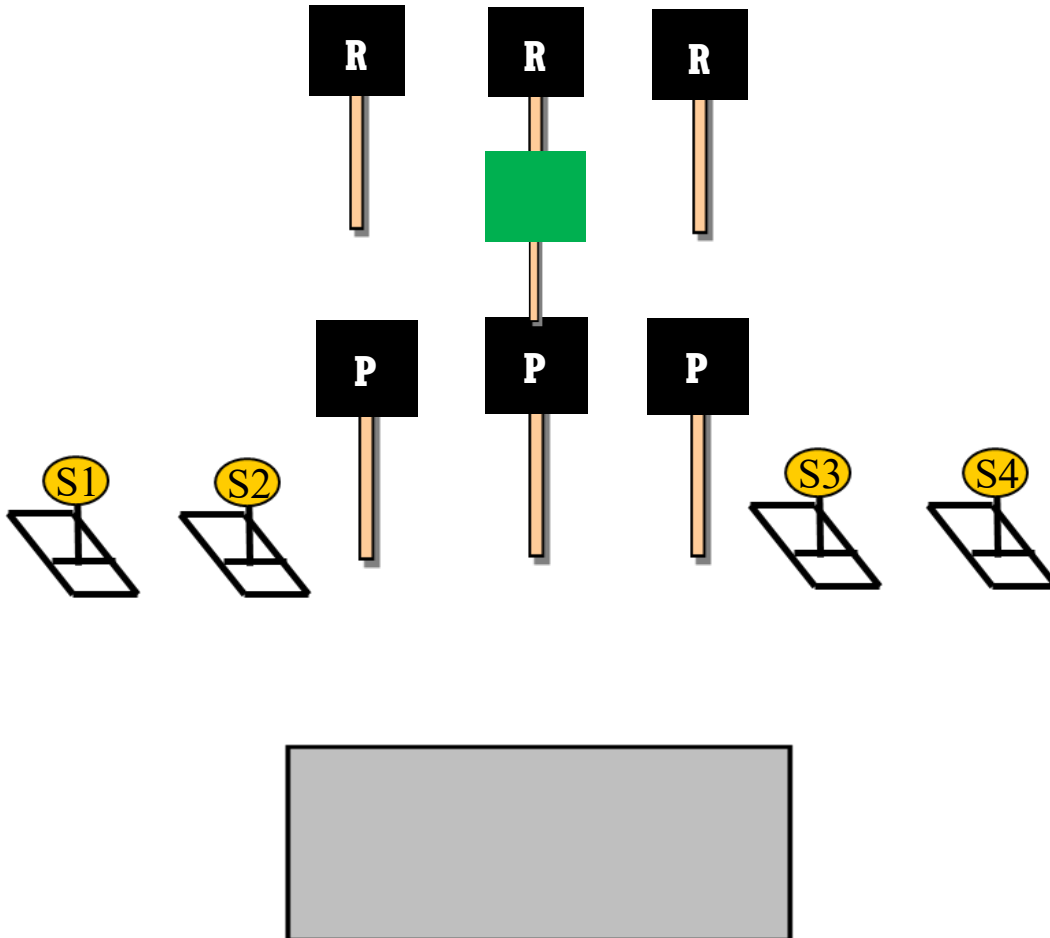
**THE
BOONDOCK
SAINTS**

Stage 1

March 13th, 2021



10 Pistol, 10 Rifle, 4+Shotgun



Start anywhere behind table with hands at low surrender. Rifle loaded with 10 rounds, open and empty shotgun and pistols loaded with 5 rounds each, **all** staged on table.

Stage may be shot in any order as long as **rifle is not last**.

To signify ready, shooter says: "People in glass houses sink sh-sh-ships"

With shotgun engage shotgun targets in any order. With rifle single tap the **green** target then sweep the 3 rear R targets in a 3-2-3 sweep from either end then single tap the **green** target for total of 10 rounds. With pistols repeat rifle instructions on the **green** target and the 3 front P targets.

After shooting the pistols, they may be holstered if so desired

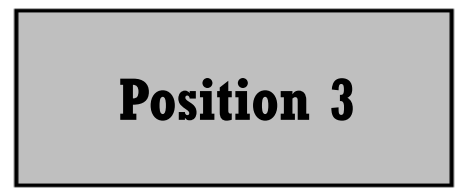
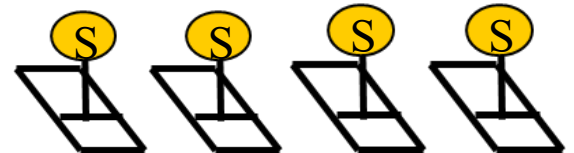
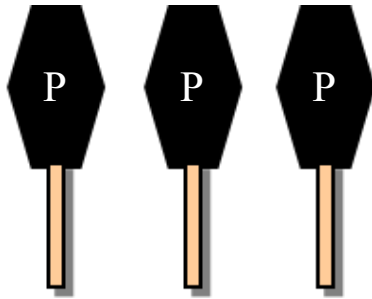
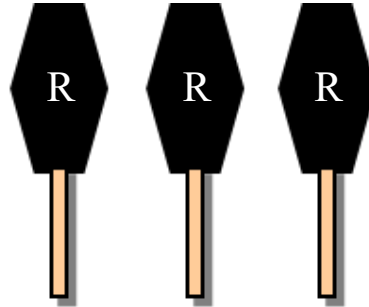
TAKE TIMER TO NEXT STAGE

Stage 2

March 13th, 2021



10 Pistol, 10 Rifle, 4+Shotgun



Stage shot from left to right. Pistols — rifle — shotgun. Start with both feet anywhere behind table at position 1 "at the ready". Rifle staged at position 2, open and empty shotgun staged at position 3, pistols loaded with 5 rounds each and holstered. To signify ready, shooter says: "This is an Irish neighborhood, I'm surprised you even got a phone call" At buzzer, from position 1, with pistols sweep the P targets in a 2-1-2 sweep from either end for 5 rounds, then repeat from same end as first sweep. At position 2, with rifle, repeat pistol instructions on R targets. Make rifle safe at position 2 and grab the pot of gold in **both hands**, take to position 3 and place on table. Then with shotgun engage 4 shotgun targets in any order.

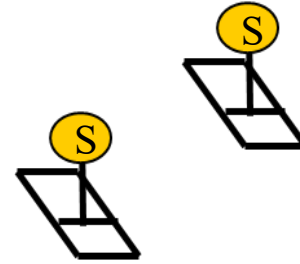
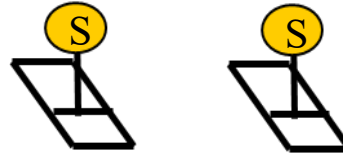
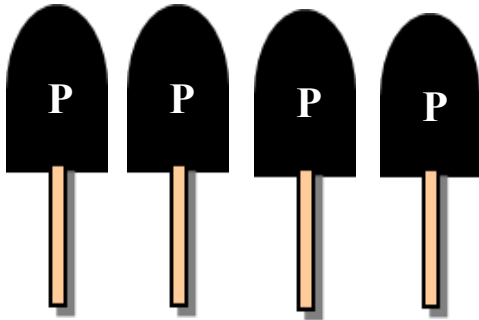
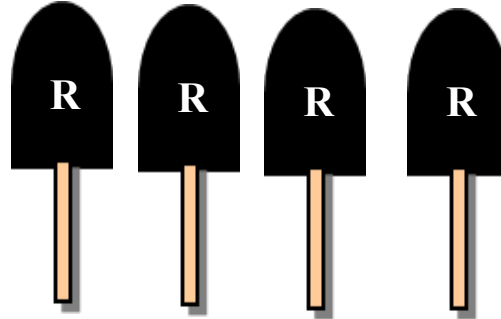
TAKE TIMER TO NEXT STAGE

Stage 3

March 13th, 2021



10 Pistol, 10 Rifle, 4+Shotgun



Position 3

Start anywhere behind table at position 2 with "sheleighly" in both hands. Rifle and shotgun staged at position 2, pistols loaded with 5 rounds each and holstered. To signify ready, shooter says: "So, what's the symbology there?" At buzzer, drop sheleighly on to table and with shotgun engage ONLY the 2 shotgun targets directly in front of table at position 2 then make shotgun safe on table. From position 1 with pistols engage any 3 P tombstones with a Nevada sweep for 5 rounds starting on any of the 3 chosen, then dump 5 rounds on the other or remaining tombstone. From position 2 with rifle repeat pistol instructions on R tombstone targets. Retrieve shotgun and engage the 2 remaining shotgun targets from position 3. ~ Position 3 is anywhere COMPLETELY clear and to the right of the table at position 2. ~ Pistols or rifle may be shot after first 2 shotgun targets AND you may start with the Nevada sweep or may start dumping 5 rounds.

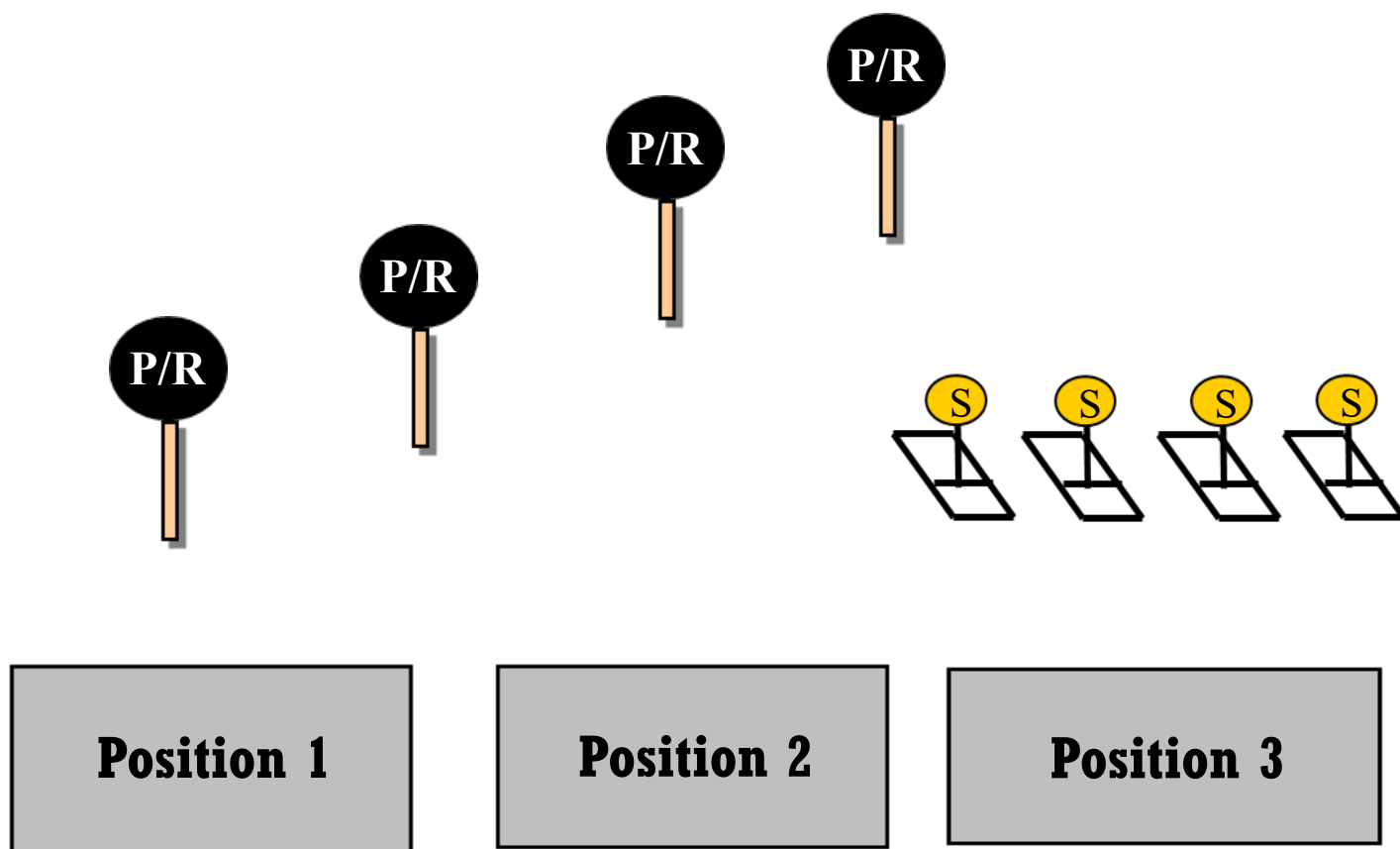
TAKE TIMER TO NEXT STAGE

Stage 4

March 13th, 2021



10 Pistol, 9 Rifle, 4+Shotgun



Stage may be shot in any order as long as the **rifle is not last**. Hands at low surrender starting anywhere fully behind table of choice.
Open and empty shotgun staged anywhere safely, rifle loaded with **9** rounds staged at Pos 1 or 2, pistols loaded with 5 rounds each and holstered.
To signify ready, shooter says: "Kind of makes me feel like river dancing"
From positions 1 & 2 with rifle and pistols engage the 4 P/R targets in an 1873 **sweep** starting from either end. From position 3 engage the 4 shotgun targets in any order.
Both positions 1 & 2 **MUST** be used to complete the sweep and **BOTH** feet must be fully behind the tables at both those positions.

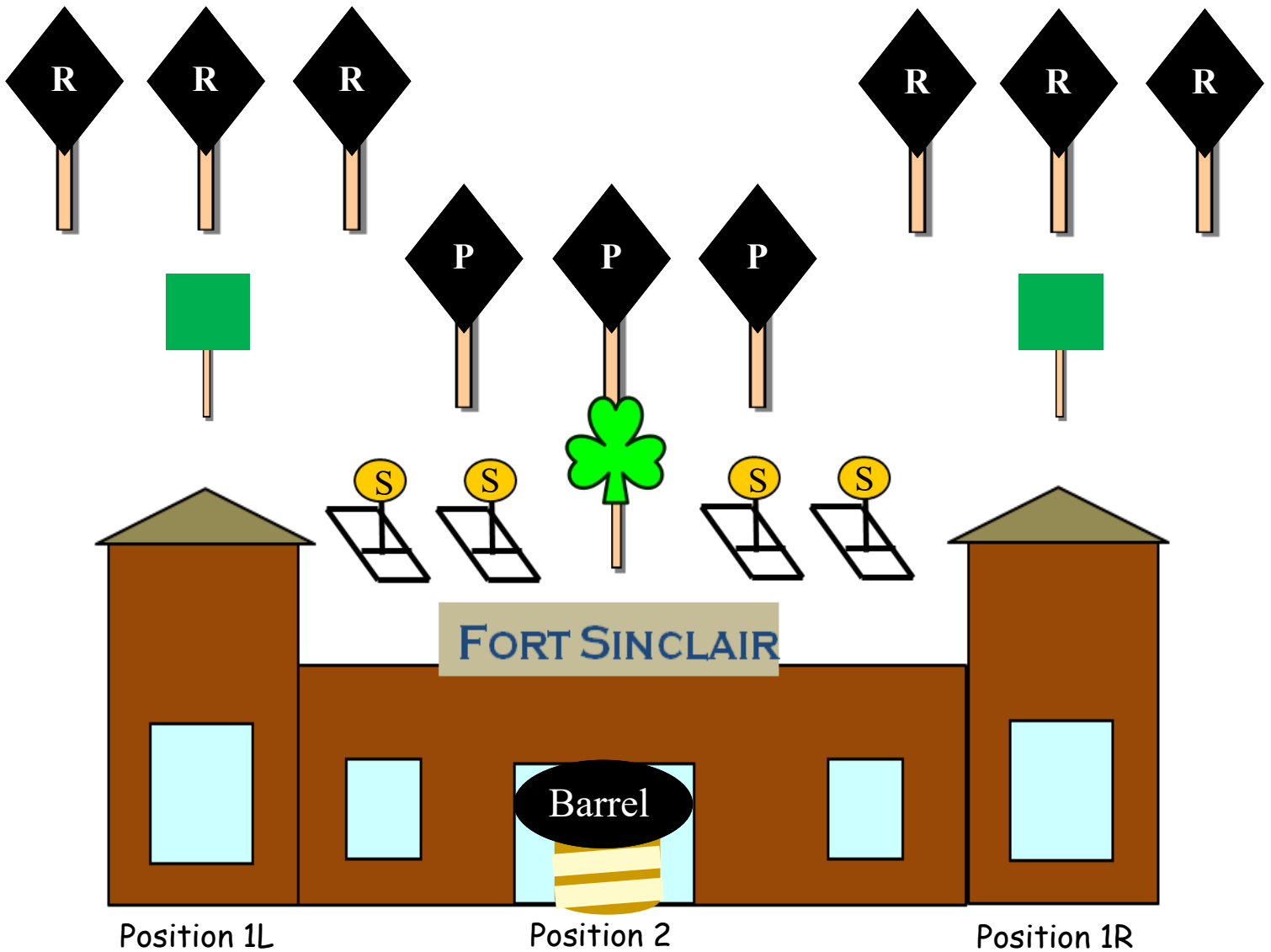
TAKE TIMER TO NEXT STAGE

Stage 5

March 13th, 2021



10 Pistol, 10 Rifle, 4+Shotgun



Start at position 1L or 1R, rifle loaded with 10 rounds in hands. Open and empty shotgun staged anywhere safely, revolvers loaded with 5 rounds each and holstered. To signify ready, shooter says: "So you're telling me it was one guy with 6 guns?" At buzzer, with rifle, double tap the 2 outside diamonds, then double tap the **green** target, then double tap the center diamond then double tap the **green** target for 10 rounds.

From position 2 engage the 4 shotgun targets till down and with pistols repeat rifle instructions on the three P diamonds and **green** shamrock

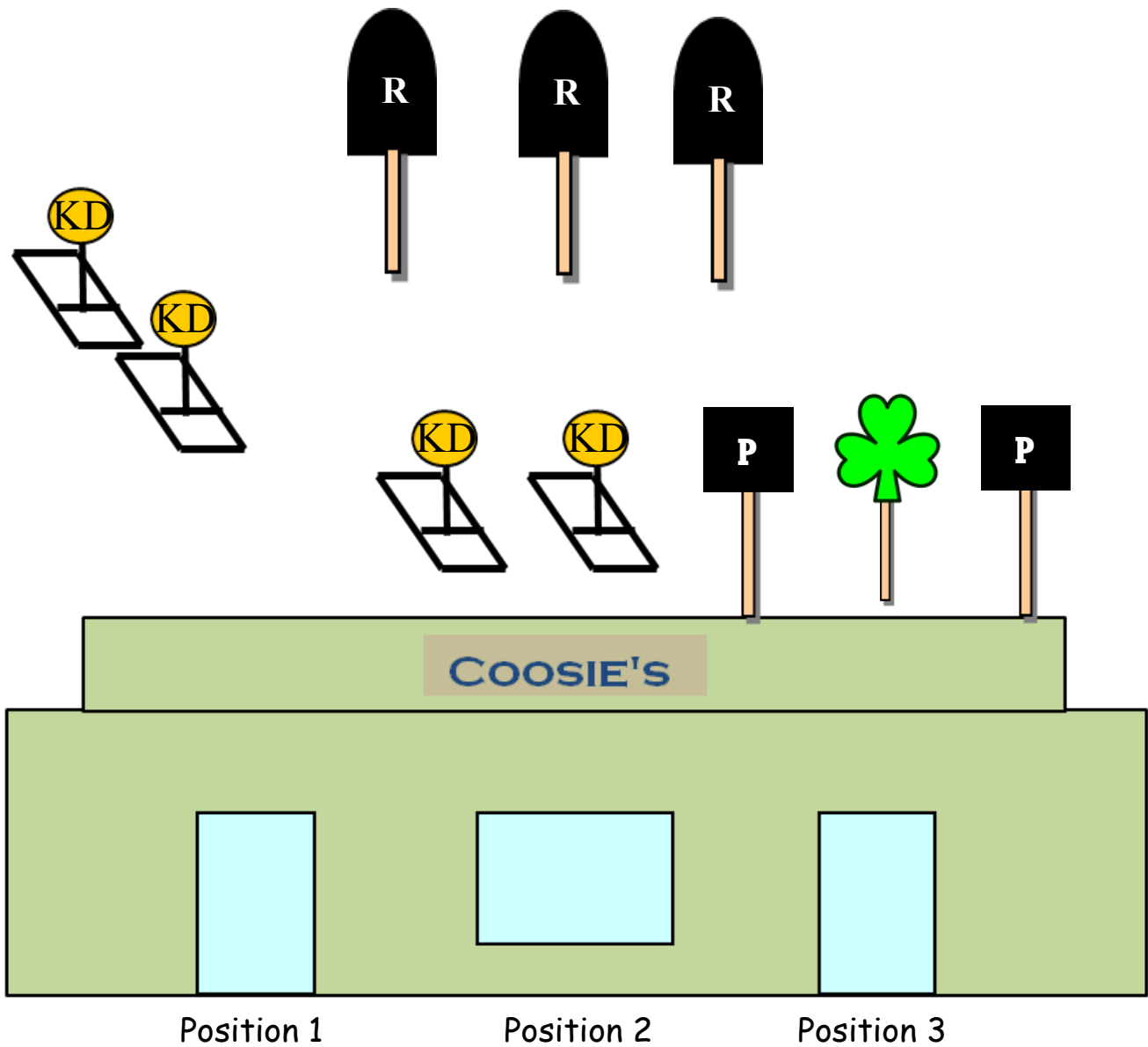
Pistols OR shotgun maybe be shot after rifle string

TAKE TIMER TO NEXT STAGE

Stage 6

March 13th, 2021

10 Pistol, 10 Rifle, 4+Shotgun



Stage may be shot in any order as long as the **rifle is not last**.

Start anywhere inside Coosie's with hand or hands touching gun or guns. Rifle loaded with 10 rounds staged on shelf at position 2, shotgun staged on shelf at position 2 OR in hands at position 1, pistols loaded with 5 rounds each and holstered.

To signify ready, shooter says: "No I aint insane, Charlie Bronson's always got a rope"
At buzzer, with shotgun engage 2 shotgun targets from position 1 and 2 shotgun targets from position 2. At position 2 with rifle single tap sweep the R targets from either end three times, ALL from the same direction then place 10th round on center target. From doorway at position 3 with pistols repeat rifle instructions on the 2 squares and the **shamrock**.

TAKE TIMER TO NEXT STAGE