



January 2020
Happy New Year!

Round Count:

Rifle 60

Revolver 60

Shotgun 24+

Remember Membership renewals are due in January

Please verify/update contact information when you renew

\$40 Individual, \$55 Family

\$25 Snowbird, \$35 Family

ACSA Annual Banquet Sunday Feb 2nd Tickets \$25 per person

Drawing for XL750 and other prizes!

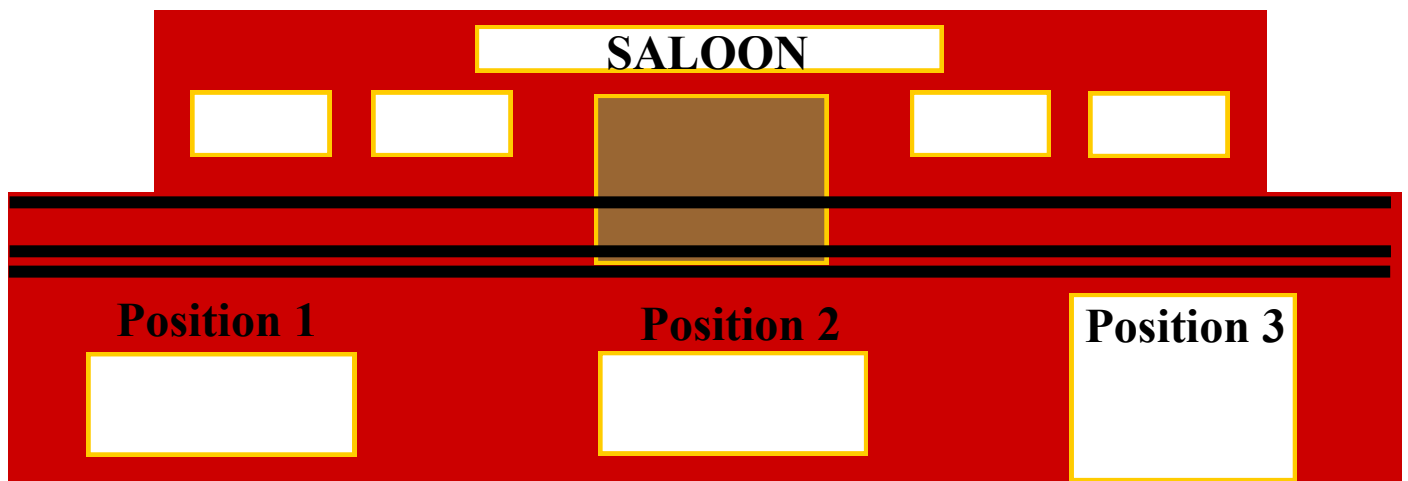
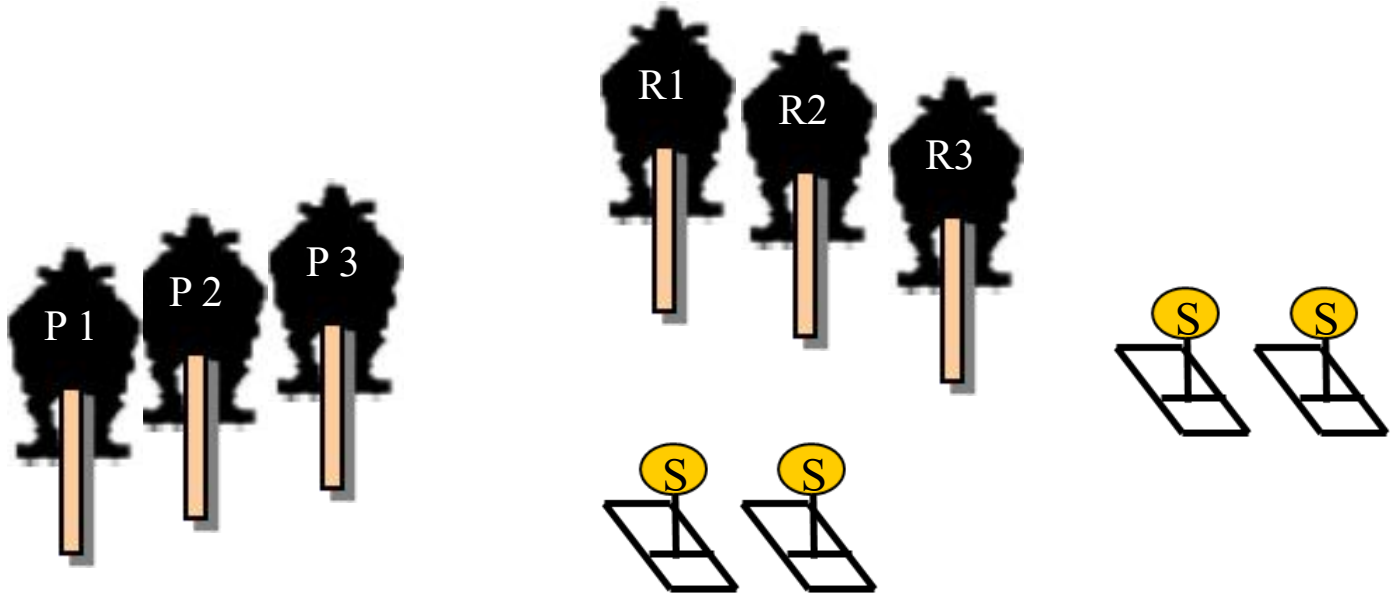
Horny Toad in Cave Creek Cash bar will be available.

No tickets sold at door—Will Call Only

Stage 1 January 2020



10 Revolver, 10 Rifle, 4+Shotgun



Start standing at position 1, hands at Texas Surrender. Revolvers loaded with 5 rounds each and holstered. Open and empty shotgun and rifle loaded with 10 rounds staged at position 2.

To signify ready shooter says: "Shoot or give up the gun."

At buzzer, from Position 1 engage P1 - P3 in a 2-1-2 sweep starting from either end and repeat for a total of 10 rounds. * From Position 2, with rifle, engage R1- R3 with same instructions as pistol. With shotgun, engage 4 shotgun targets, 2 at position 2 then 2 at position 3.

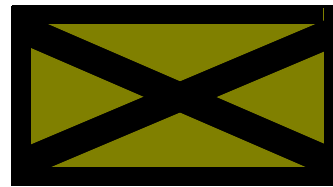
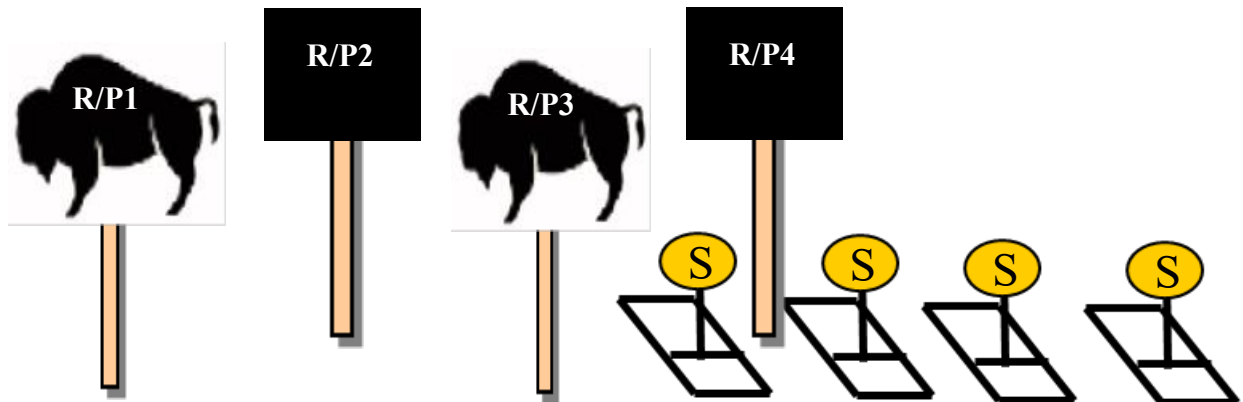
* Yes , you can do it dirty

Please leave timer and spotting flags...

Stage 2 January 2020



10 Revolver, 10 Rifle, 4+Shotgun



Position 2



Position 1

Start at position 1, rifle in hands. Open and empty shotgun staged on the table at position 1. Revolvers loaded with 5 rounds each and holstered.

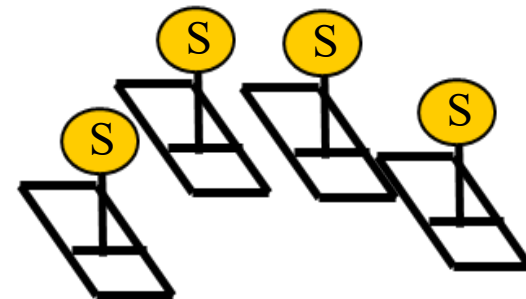
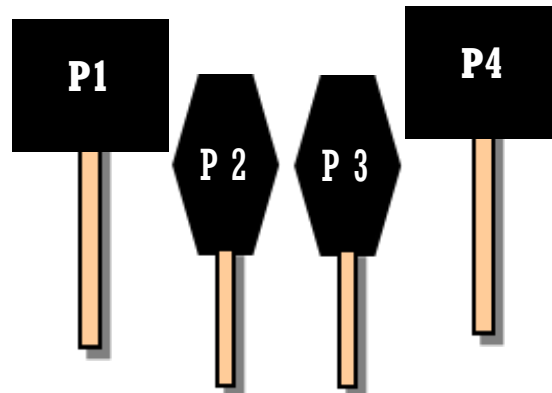
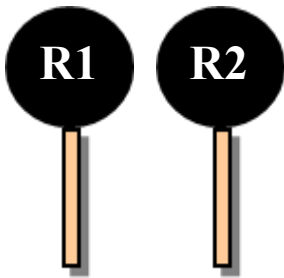
To signify ready shooter says: "Hold yur horses!"

At buzzer, with rifle, engage R1 through R4 in a continuous Nevada sweep starting on either end. Make rifle safe into berm for downrange movement. Taking shotgun with you, move to position 2 and make shotgun safe for future use. With revolvers engage P1 through P4 with same instructions as rifle. Then, with shotgun engage the 4 shotgun targets.

Please leave the timer and spotting flags...

Stage 3 January 2020

10 Revolver, 10 Rifle, 4+Shotgun



Position 1

Position 2

Position 3

Start at center of position 1, hands on hat. Revolvers loaded with 5 rounds each and holstered. Rifle loaded with 10 rounds staged at position 1. Open and empty shotgun staged at position 3.

To signify ready shooter says: "Skedaddle!"

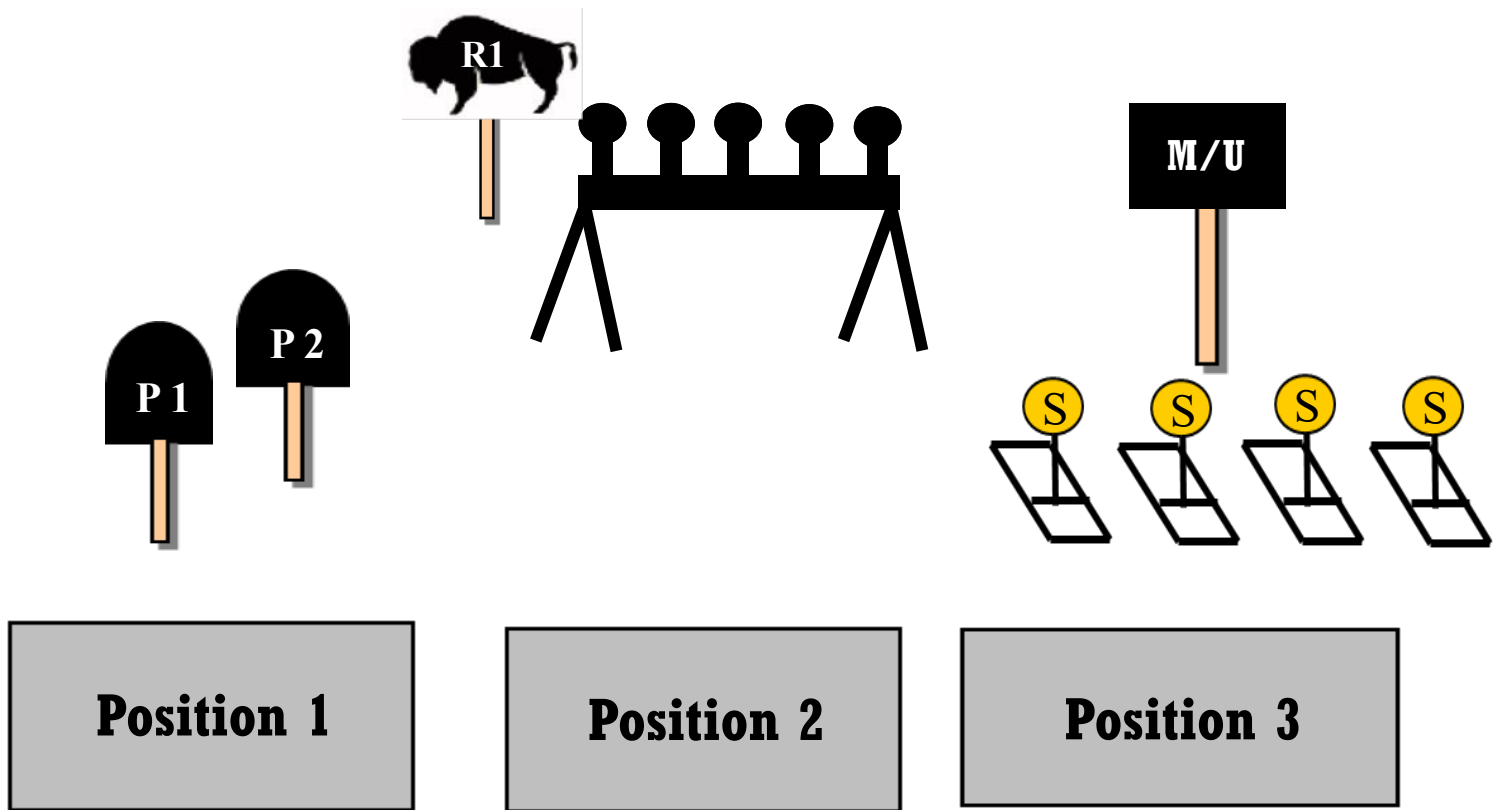
At buzzer, with rifle, engage either R target with 2 rounds, then the other R target with 3 rounds and repeat. (2-3, 2-3) Rifle may be shot dirty (2-5-3). From position 2 engage either P1 or P2 with 2 rounds, then place 3 rounds on the remaining target. Repeat on second pair (P3, P4) of P targets. (2-3, 2-3) From position 3 with shotgun engage the 4 shotgun targets in any order.

NOTE: Position 2 is anywhere past position 1 and before position 3.

Please leave the timer and spotting flags...

Stage 4 January 2020

10 Revolver, 10 Rifle, 4+ Shotgun



Stage may be shot right to left or left to right, shooter's choice. Start with hands behind back at position 1 OR position 3, both feet behind table. Rifle loaded with 10 rounds and open and empty shotgun staged anywhere safe. Revolvers loaded with 5 rounds each, holstered.

To signify ready shooter says: "I'm stumped!"

At buzzer, from Position 1 with revolvers, alternate between P1 and P2 for 10 rounds. May start with either target. From Position 2 with rifle, alternate between R1 and plate rack for 10 rounds. May start with plate rack or buffalo.

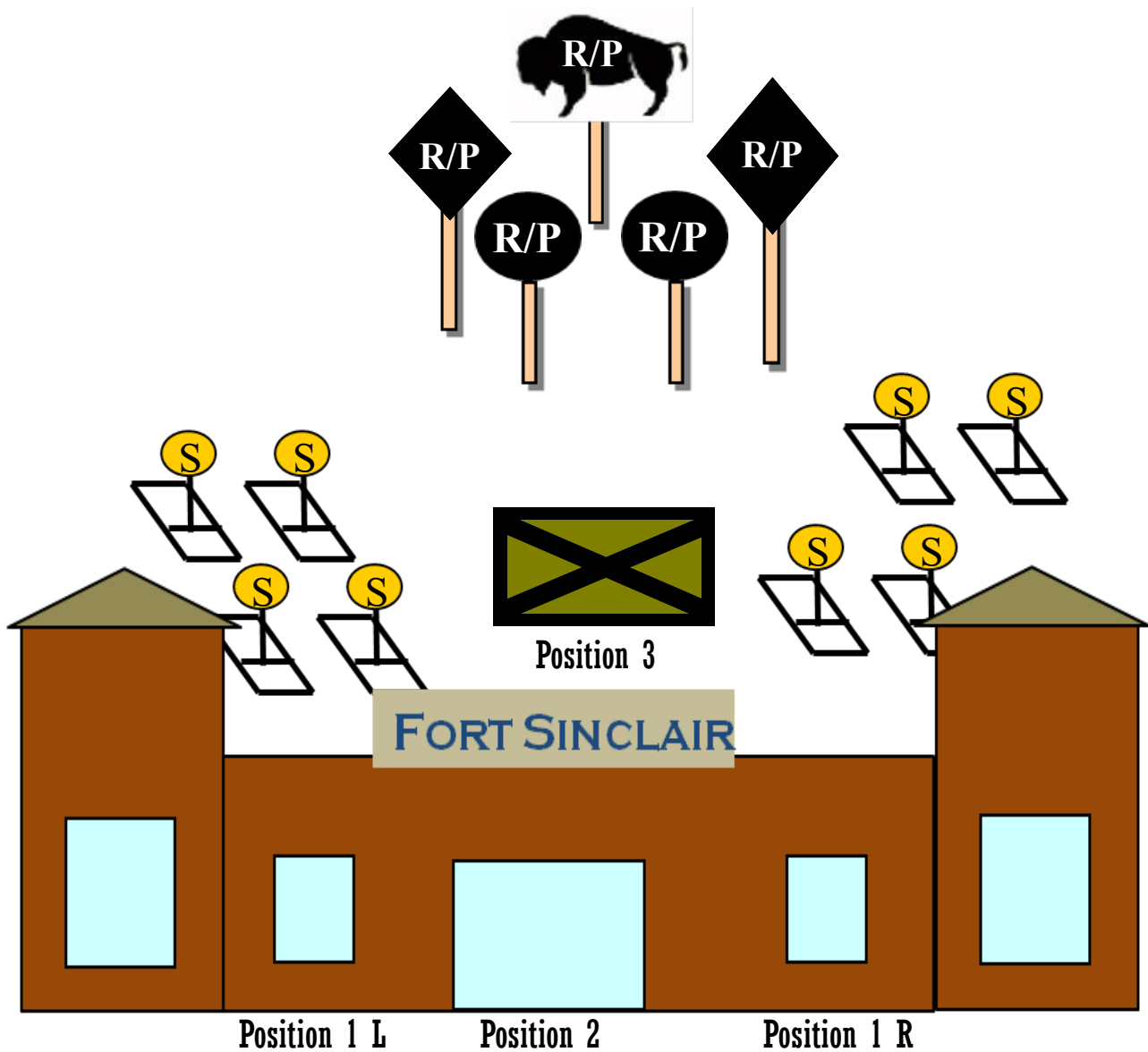
From Position 3 with shotgun engage 4 shotgun targets any order. Make up standing plates on M/U target if needed. ONLY M/U target may be engaged from either position 2 or position 3.

Please leave timer and spotting flags...

Stage 5 January 2020



10 Revolver, 10 Rifle, 4+ shotgun



Start at either position 1L or 1R, both hands touching window frame. Open and empty shotgun, and rifle loaded with 10 rounds staged anywhere safe. Revolvers loaded with 5 rounds each, and holstered.

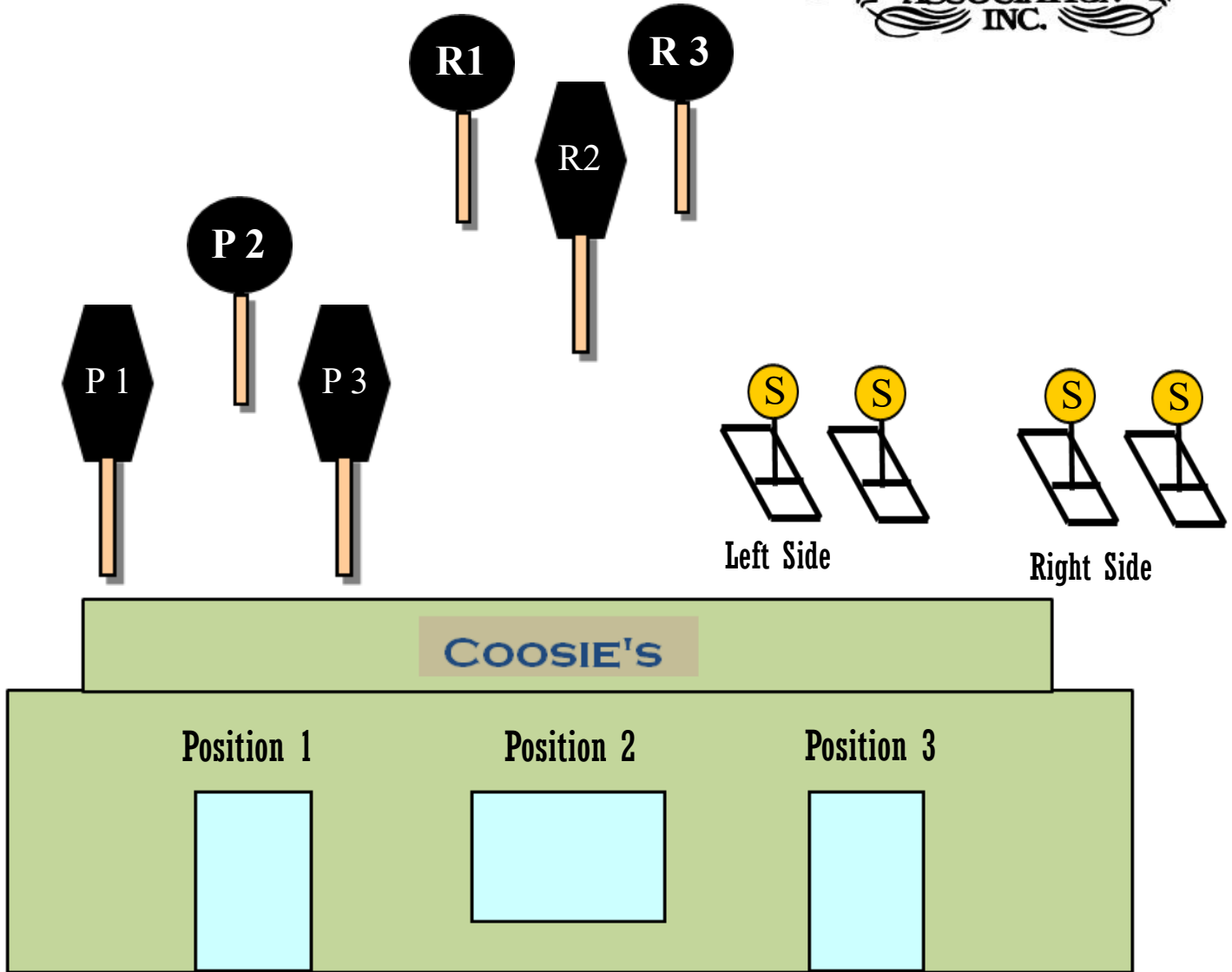
To signify ready shooter says: "Pony up!"

At buzzer, using shotgun, engage the 4 shotgun targets in front of you in any order. Make shotgun safe vertically. With rifle, from doorway (at least one foot behind red line) engage the 5 targets twice each, starting on any target. (Round Count) Take rifle to the box and make safe at Position 3. From Position 3 with revolvers repeat rifle instructions.

Please leave timer and spotting flags...

Stage 6 January 2020

10 Revolver, 10 Rifle, 4+ Shotgun



Start at position 1, both hands on revolvers, or position 3 with shotgun in both hands. Revolvers loaded with 5 rounds each and holstered. Rifle loaded with 10 rounds staged anywhere safe. Shotgun staged anywhere safe if starting with pistols. Stage may be shot right to left, or left to right, shooters choice.

To signify ready shooter says: "Bucking the tiger."

At buzzer, (if starting from position 1) with revolvers, alternate the 2 outside targets for 4 rounds, then double tap the center target, then alternate the outside targets with the remaining 4 rounds. From position 2 with rifle, engage R1 through R3 with same instructions as revolvers. From position 3 with shotgun alternate shotgun targets, one on the left side, one on the right side, one on the left side, one on the right side, may start on either side.

Please leave timer and spotting flags...