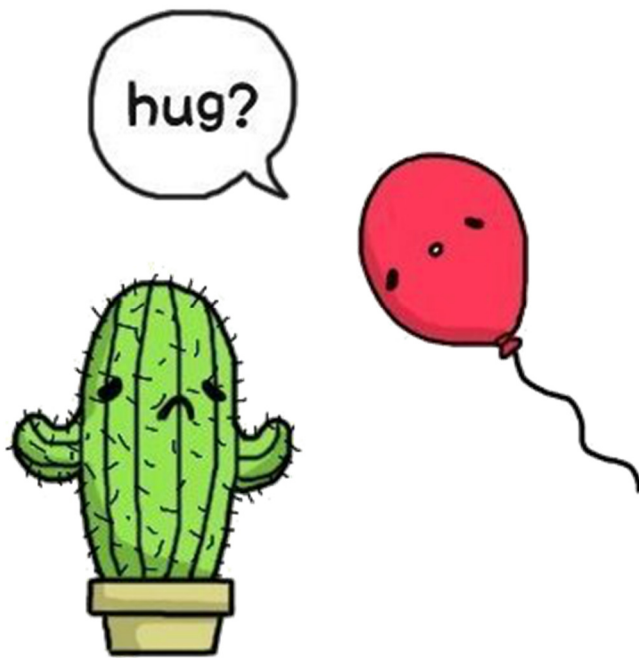


ARIZONA COWBOY SHOOTERS ASSOCIATION INC.



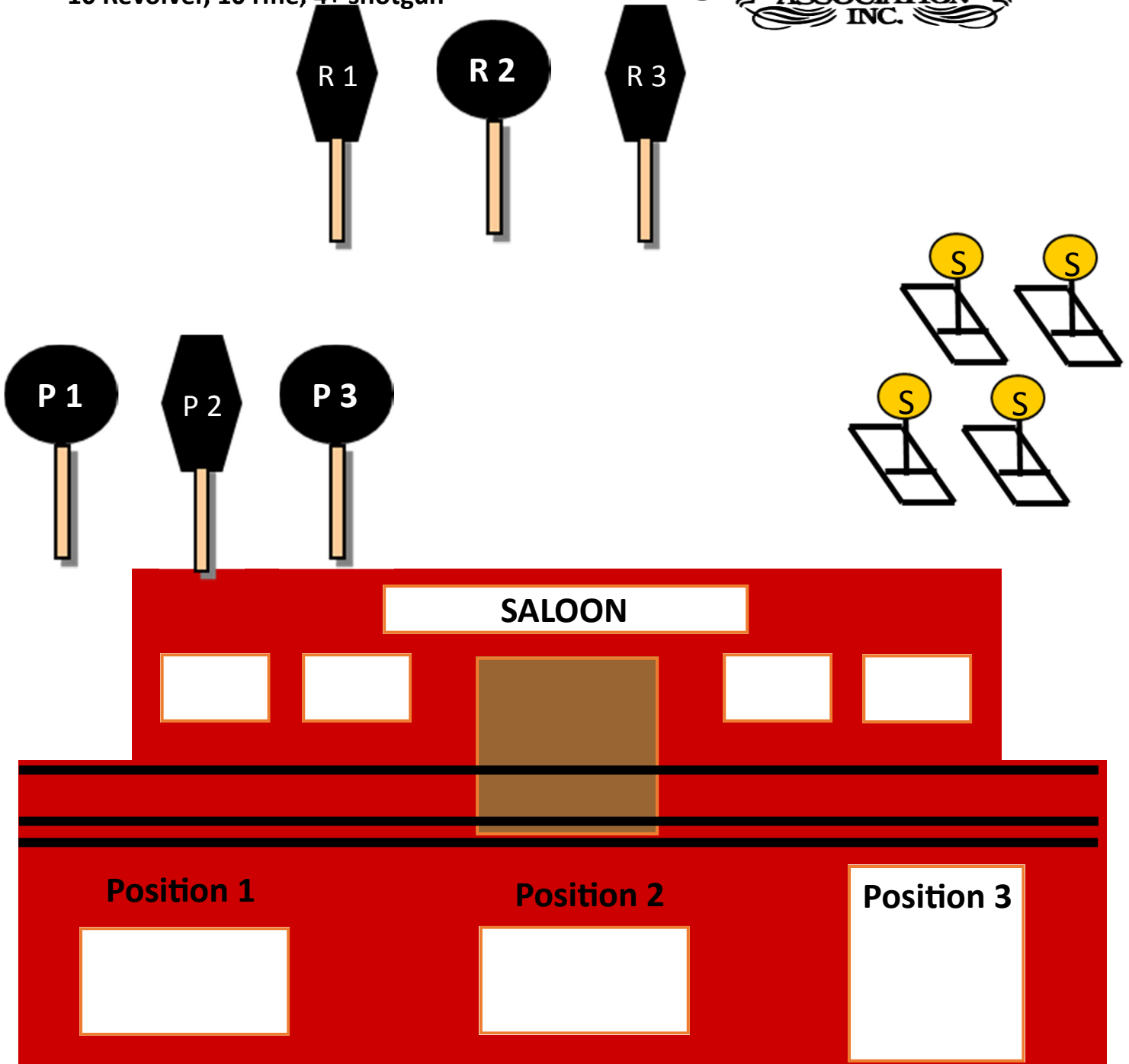
Don't forget to sign up for the
ACSA Annual or The SASS
Arizona State Black Powder
Championship,
The Copper State Smokeout.

August 2015

60 Rifle
60 Revolver
19 +?+ Shotgun

Stage 1 August 2015

10 Revolver, 10 rifle, 4+ shotgun



Shooter starts at position 1, hands in any position as long as not touching guns. Revolvers loaded with 5 rounds each and holstered, Rifle loaded with 10 rounds, and open/empty shotgun staged anywhere.

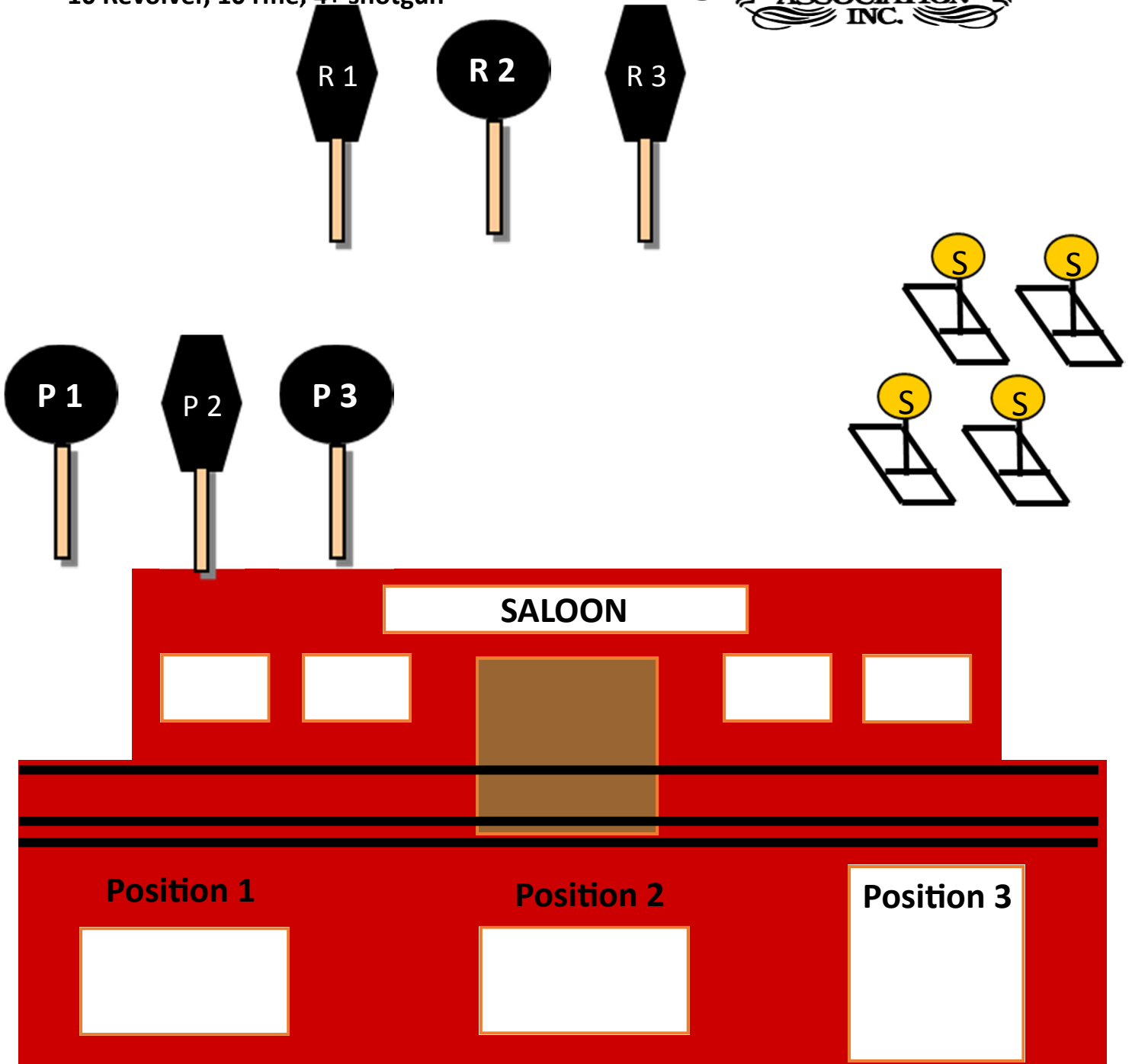
When ready shooter says "Is that a bullfrog???"

At the beep, from position 1 with revolvers, alternate on the left two "P" targets for 5 rounds, and the right two "P" targets for 5 rounds. Shooter may shoot right or left pair first, and may start on either target of the pair. Move to position 2 and with rifle, repeat revolver instructions for a total of 10 rounds. Move to position 3 and engage "S" targets in any order.

PLEASE LEAVE SPOTTER FLAGS, AND TIMER!!!!!!!!!!!!

Stage 2 August 2015

10 Revolver, 10 rifle, 4+ shotgun



Shooter starts at position 3, shotgun at port arms. Revolvers loaded with 5 rounds each and holstered, rifle loaded with 10 rounds staged anywhere.

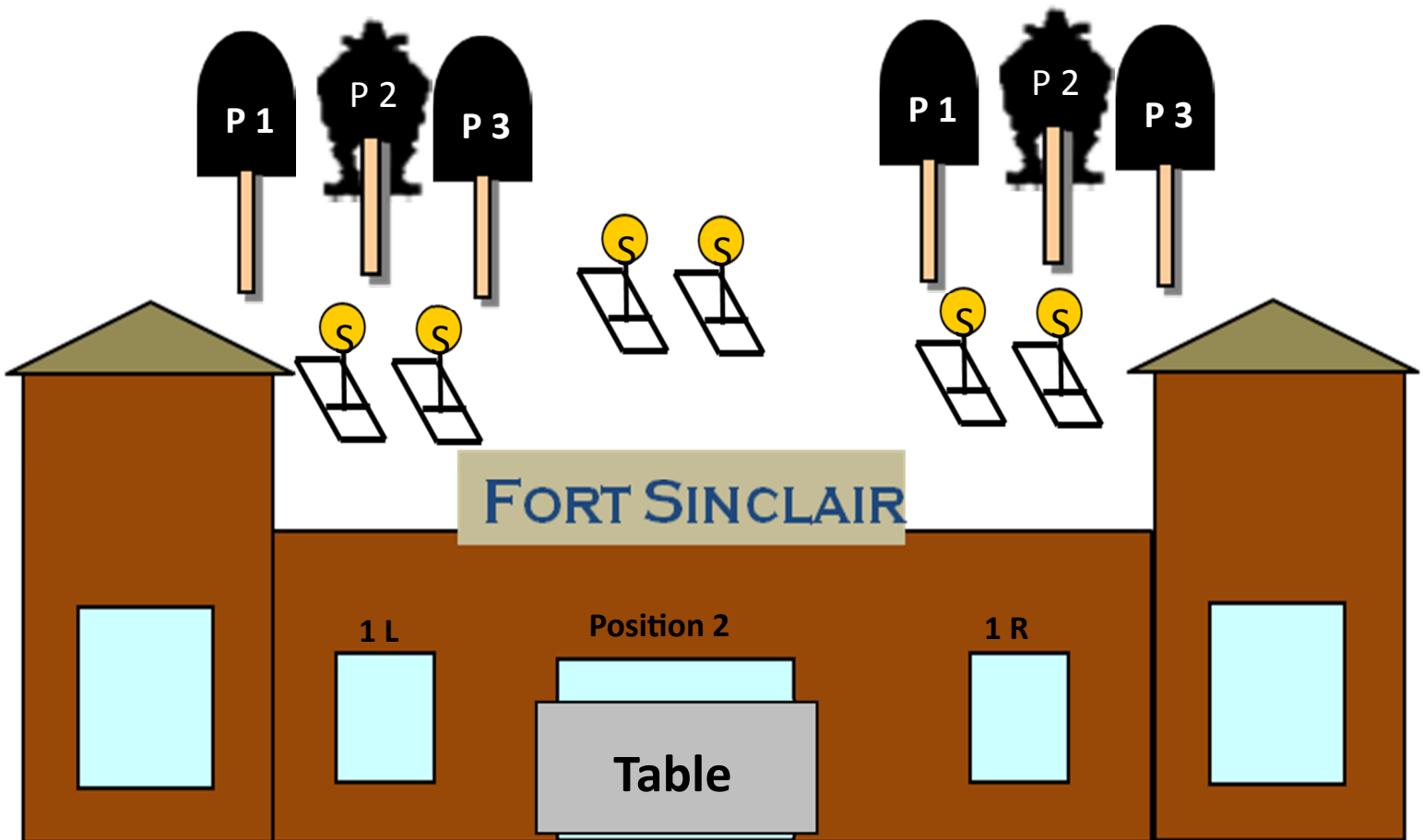
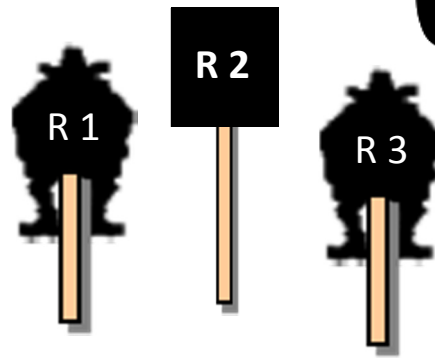
When ready say, "Man that sound scared me!!!"

At the beep, from position 3 with shotgun engage "S" targets in any order. From position 2 engage R1 through R3 in a double tap Nevada sweep starting on either end, from position 1 engage P1 through P3 with same instructions as rifle.

PLEASE LEAVE SPOTTER FLAGS, AND TIMER!!!!!!!!!!!!!!

Stage 3 August 2015

10 Revolver, 10 Rifle, 6 shotgun



Shooter starts at any position, hands behind back. Revolvers loaded with 5 rounds each and holstered. Rifle loaded with 10 rounds, and open/empty shotgun staged anywhere.

When ready say, "Split them pistols"

At the beep: stage may be shot in any order, as long as rifle is not last.

From position 1L with the shotgun engage the 2 "S" targets, and with revolver engage P1 through P 3 in a single 2-1-2 sweep for 5 rounds.

From position 2 with the shotgun engage the 2 "S" targets, and with rifle engage R1 through R3 in 2 separate 2-1-2 sweeps starting on the same end (no dirty sweeps).

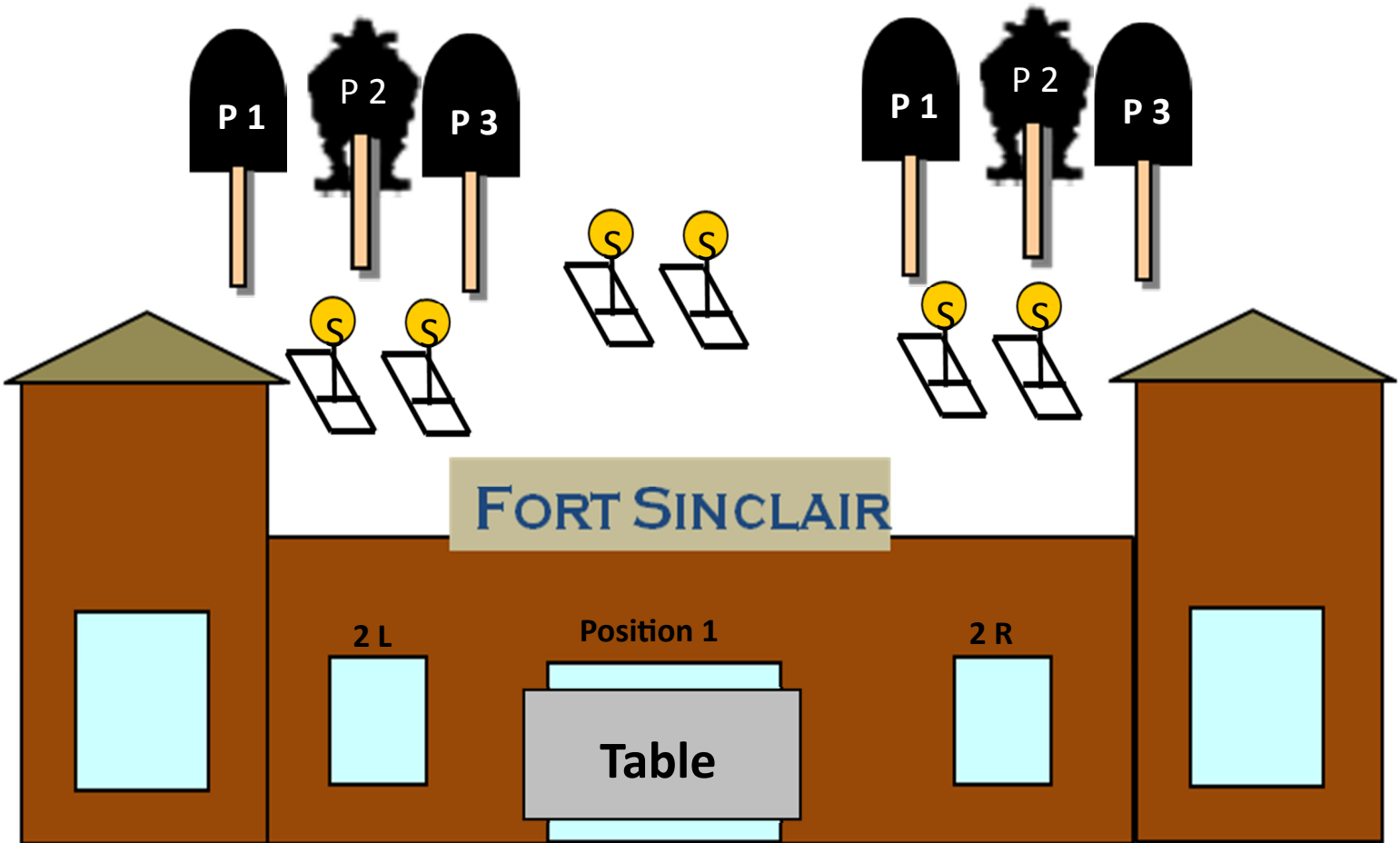
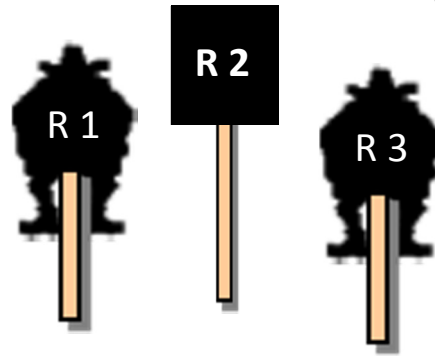
From position 1R with the shotgun engage the 2 "S" targets, and with revolver engage P1 through P 3 in a single 2-1-2 sweep for 5 rounds.

PLEASE LEAVE SPOTTER FLAGS, AND TIMER!!!!!!!!!!!!!!

Stage 4 August 2015



10 Revolver, 10 Rifle, 2 shotgun



Shooter starts at the table, rifle in hand. Revolvers loaded with 5 rounds each and holstered, open/empty shotgun staged anywhere.

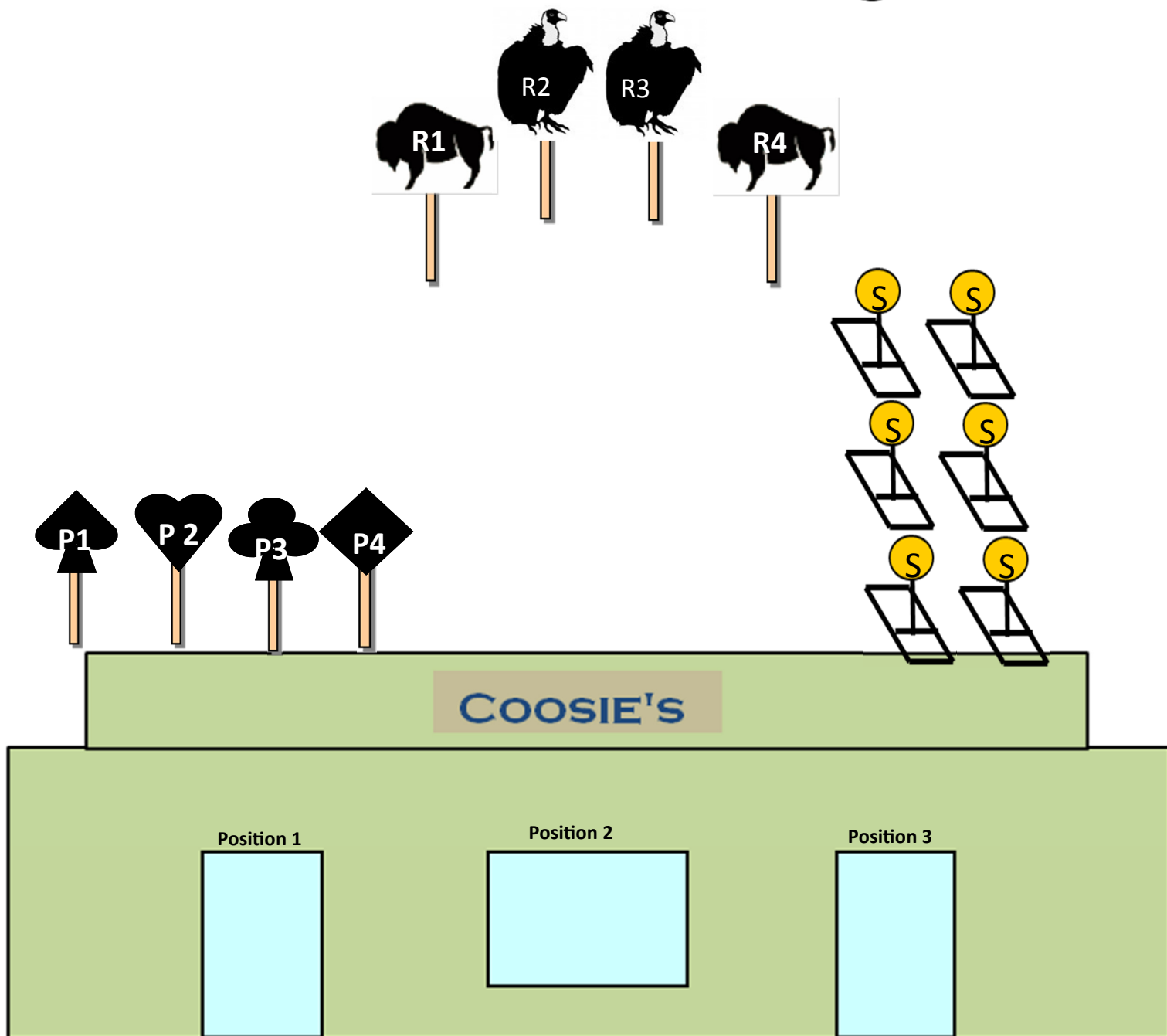
When ready say, "No split pistols this time!!"

At the beep: engage R2 twice, then sweep R1 through R3 from either direction, then engage R2 twice again, then sweep R1 through R3 from either direction again. With shotgun, engage the 2 fallers in front of you. Move to position 2L or 2R and with revolvers, using P1 through P3 repeat rifle instructions.

PLEASE LEAVE SPOTTER FLAGS, AND TIMER!!!!!!!!!!!!

Stage 5 August 2015

10 Revolver, 10 Rifle, ? shotgun



Shooter starts at position 1, both hands touching doorframe anywhere. Revolvers loaded with 5 rounds each and holstered. Rifle loaded with 10 rounds, and open/empty shotgun staged anywhere.

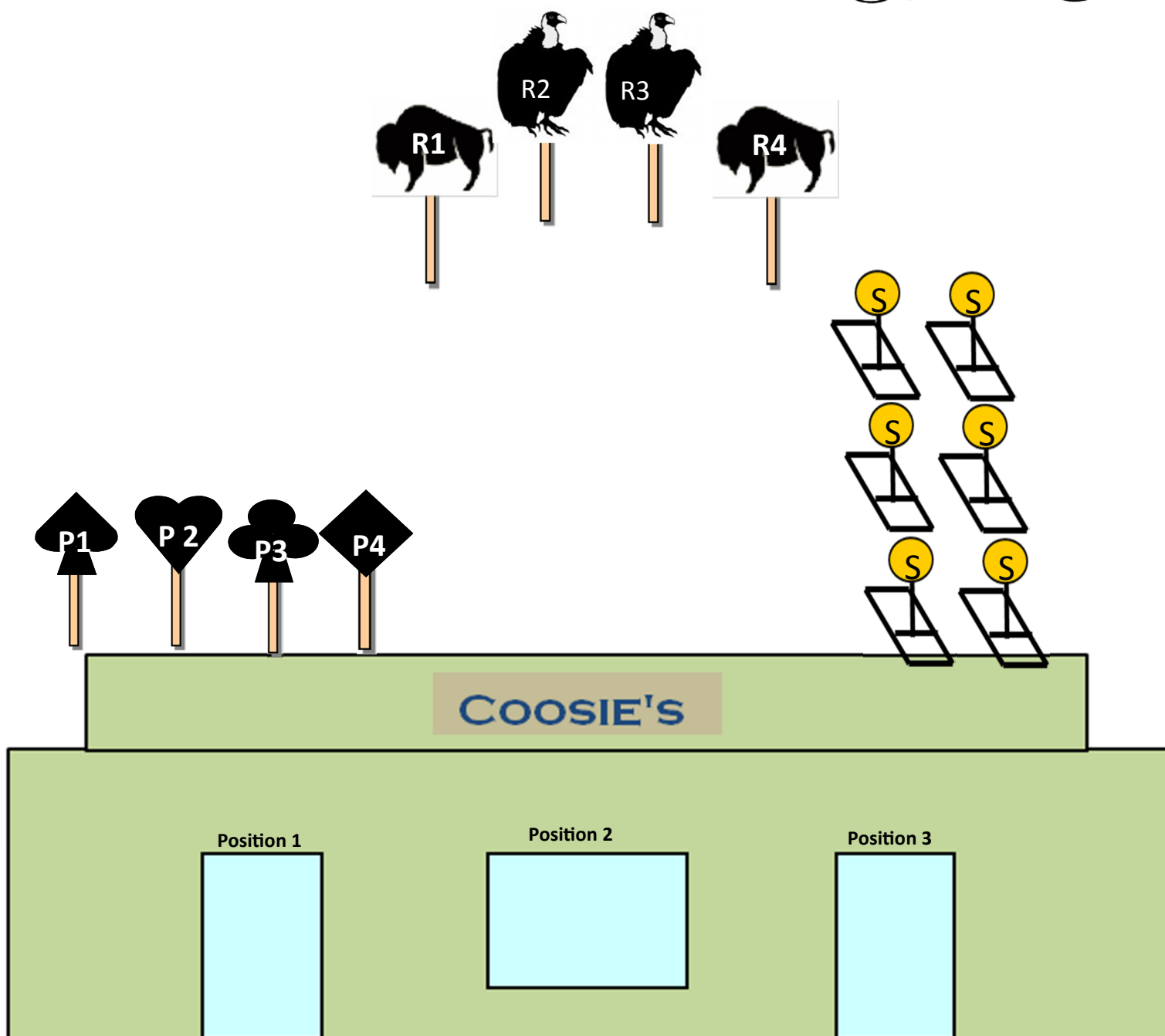
When ready say, "I bet on #3!"

At the beep, with revolvers, engage P1 through P4 in a progressive sweep starting on either end. Move to position 2 and with rifle engage R1 through R4 with same instructions as revolvers. Move to position 3 and engage "S" targets with as few rounds as necessary.

PLEASE LEAVE SPOTTER FLAGS, AND TIMER!!!!!!!!!!!!

Stage 6 August 2015

10 Revolver, 10 Rifle, 3+ shotgun



Shooter starts at position 3, shotgun loaded with 2 rounds (Shotgun loaded under TO supervision, at TOs Command). Revolvers loaded with 5 rounds each and holstered, rifle loaded with 10 rounds staged anywhere.

When ready say, "Odd shotgun targets favor a 97!"

At the beep: with shotgun knock down AT LEAST 3 "S" targets. Move to position 2 and with rifle engage R1 through R4 as follows:

outside, outside, inside, inside, outside, outside, inside, inside, outside, outside. Move to position 1 and using revolvers, engage P1 through P4 with same instructions as rifle.

PLEASE LEAVE SPOTTER FLAGS, AND TIMER!!!!!!!!!!!!