



ROUND COUNT

RIFLE 60

REVOLVER 60

SHOTGUN 16-?



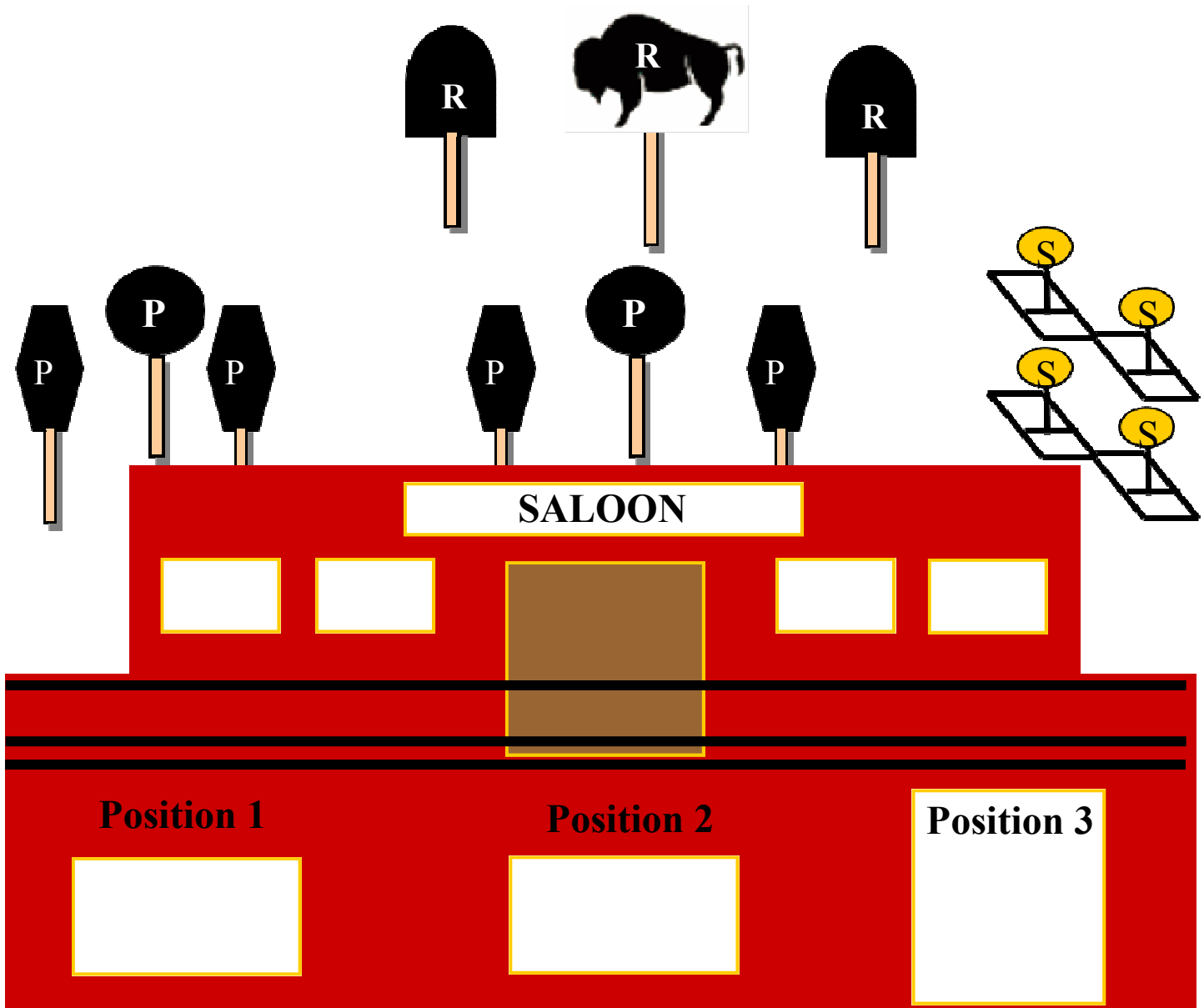
**SUMMER HOURS ARE IN EFFECT
SHOOTERS MEETING AT 8 AM**

NO LONG RANGE

JUNE 2015

STAGE 1 JUNE 2015

10 Revolver, 10 rifle, 4+ shotgun



Start at position 1 or 3 with necessary gun(s) in hand. Revolvers loaded with 5 rounds each and holstered or in hand(s). Rifle loaded with 10 rounds staged anywhere, open and empty shotgun staged anywhere, or in hand.

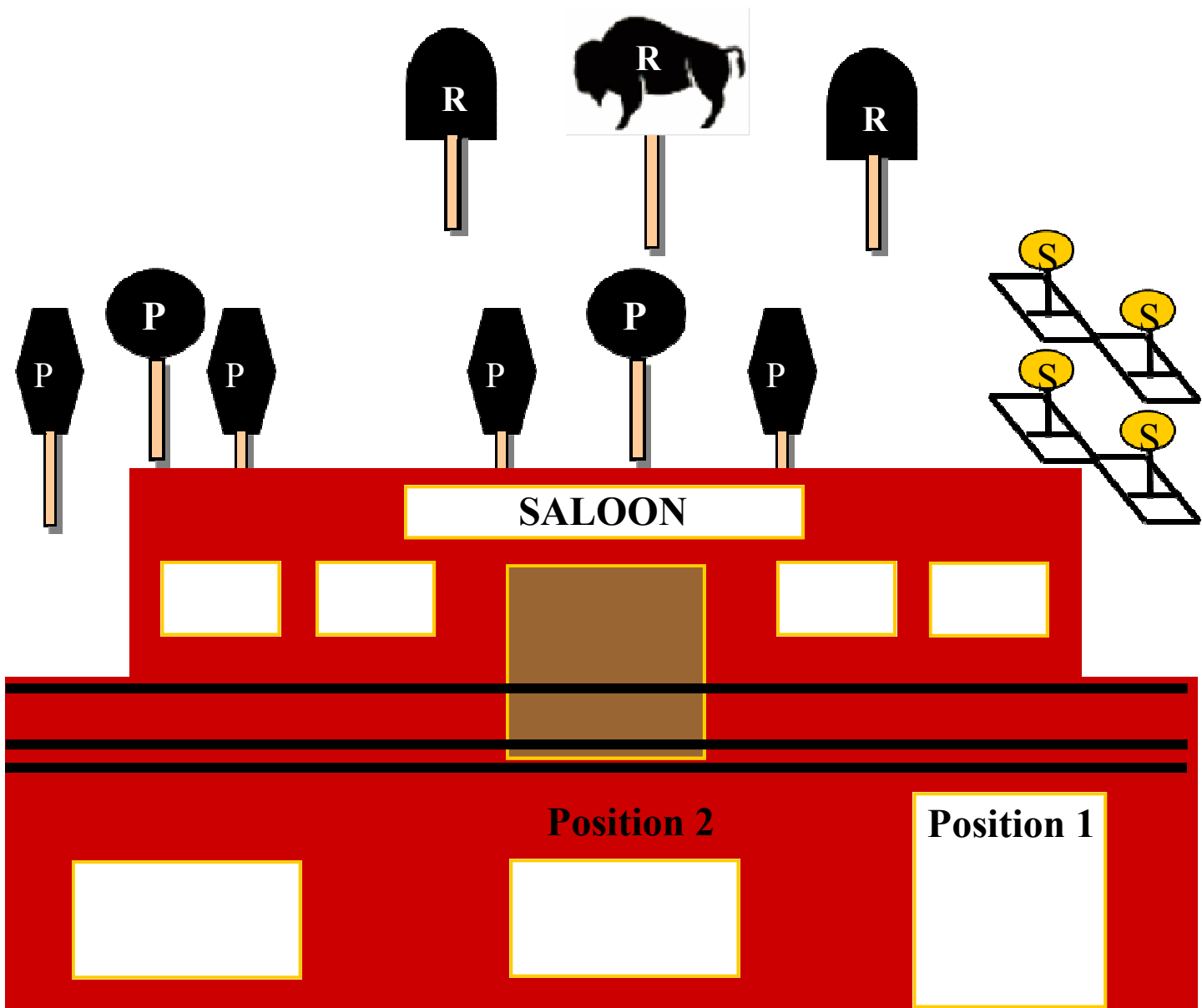
When ready say "Split pistols?????"

At the buzzer, stage may be shot in any order as long as rifle is not last. From position 1 with revolver engage the 3 "P" targets with at least 1 round each. From position 2 with revolver engage the 3 "P" targets with at least 1 round each, and with rifle engage the 3 "R" targets with at least 2 rounds each. From position 3 engage the 4 shotgun fallers.

Please leave timer and spotting flags...

STAGE 2 JUNE 2015

10 Revolver, 10 rifle, 4+shotgun



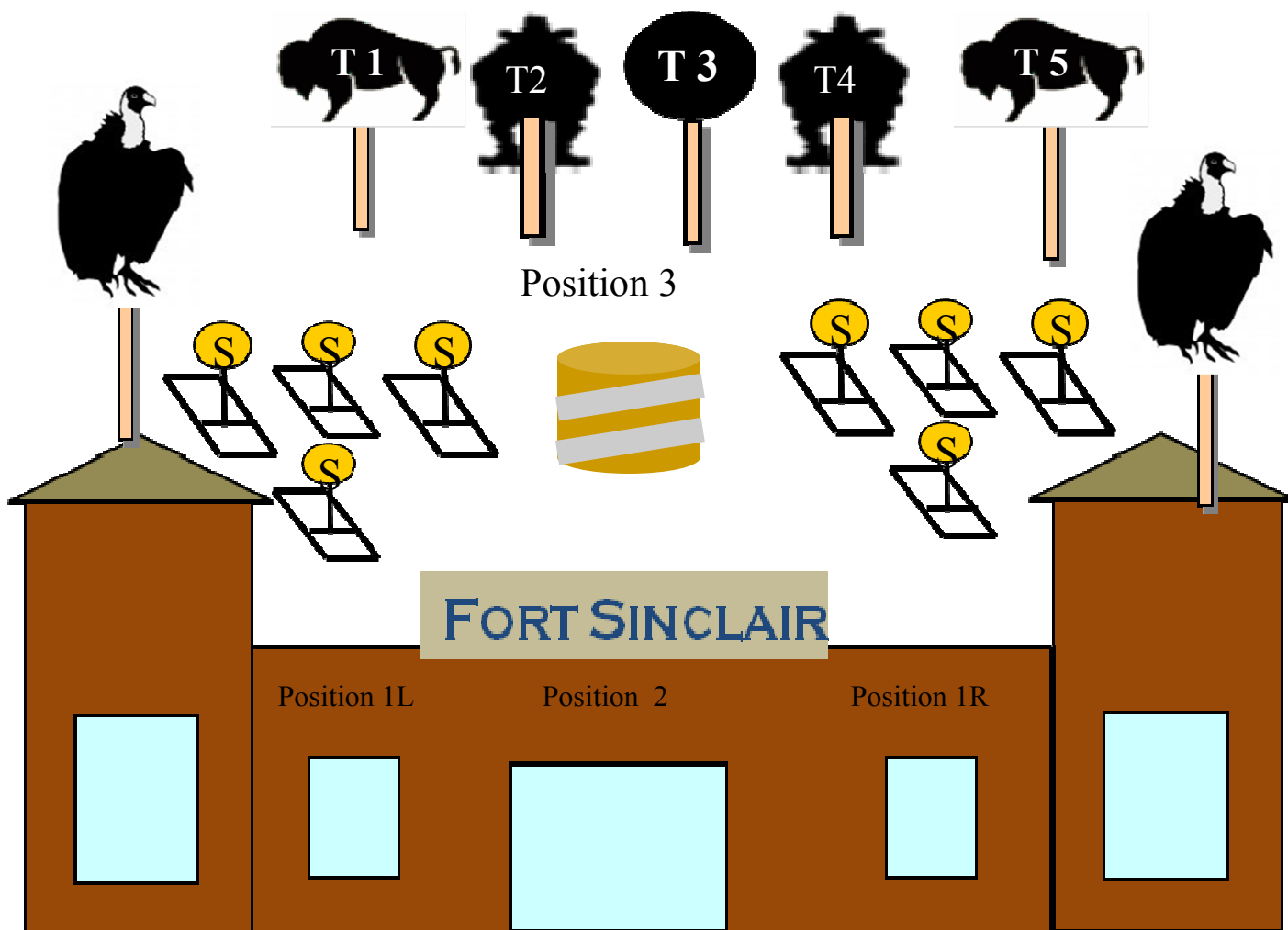
Start at position 1 open and empty shotgun in hand. Rifle loaded with 10 rounds, staged on the table at position 2. Revolvers loaded with 5 rounds each and holstered.
When ready say "Only 2 positions????"

At the buzzer, with shotgun engage the 4 "S" targets, make shotgun safe at position 2. From position 2 with rifle double tap both outside targets STARTING ON EITHER END then place 1 round on the center target, then REPEAT INSTRUCTIONS. Remaining at position 2, using revolvers engage the "P" targets with same instructions as rifle

Please leave timer and spotting flags...

STAGE 3 JUNE 2015

10 Revolver, 10 Rifle, ?+ Shotgun



Start at position 1L or 1R thumbs hooked in GUN BELT. Rifle loaded with 10 rounds, open and empty shotgun staged anywhere. Revolvers loaded with 5 rounds each, holstered.

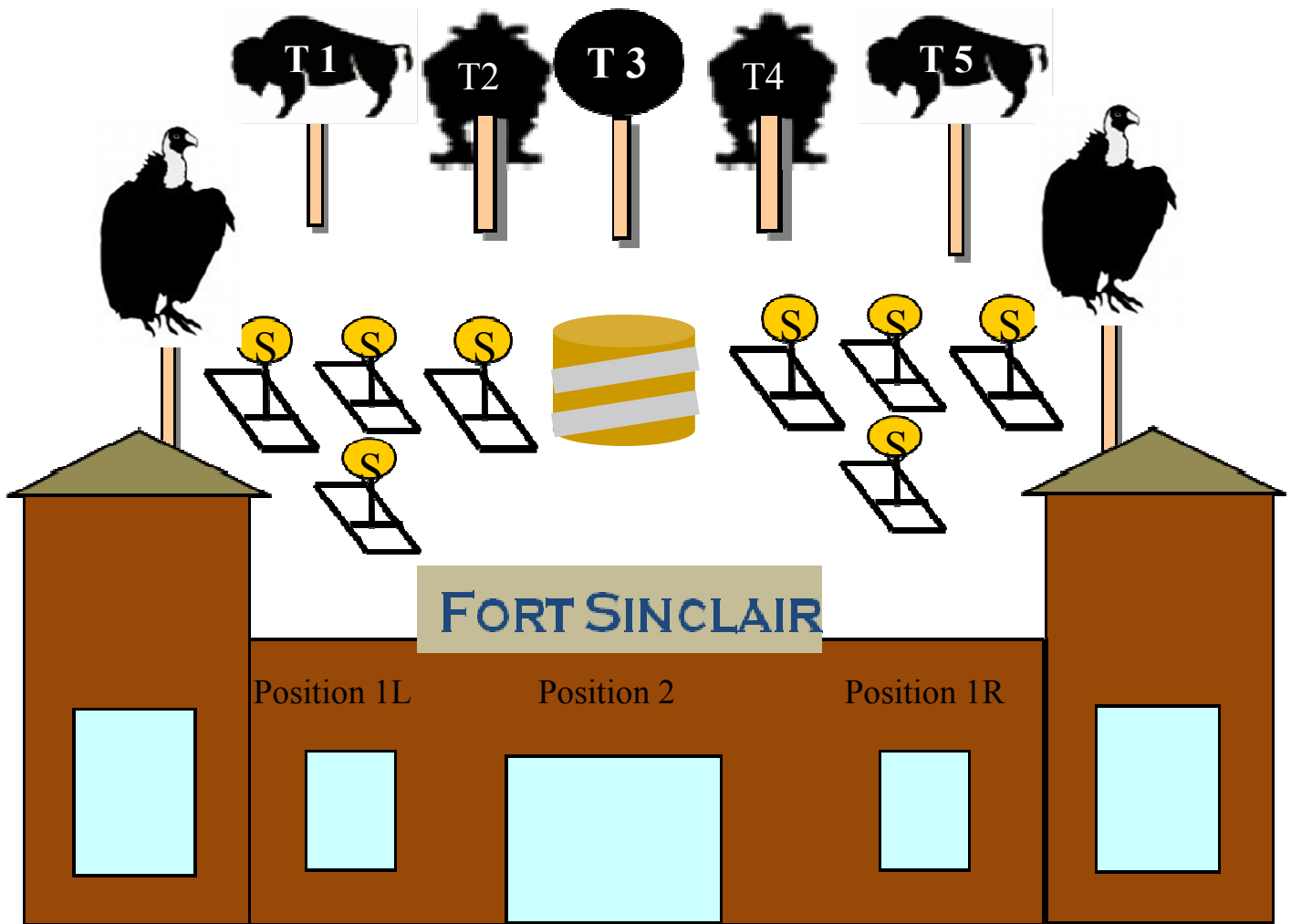
When ready say "Just got back from Whiskey Row"

At the buzzer, with shotgun engage the "S" targets with as many rounds as necessary, make shotgun safe vertical in the rack. At position 2 with rifle engage all of the "t" targets in a whiskey row sweep starting on either end (1-1-2-3-4-5-5-4-3-2), make rifle safe vertical in the rack and move to position 3 (touching distance of the barrel) and with revolvers engage the targets with the same instructions as the rifle, holster.

Please leave timer and spotting flags...

STAGE 4 JUNE 2015

10 Revolver, 10 Rifle, ?+ Shotgun



Start at position 1L Or 1R at SASS default. Rifle loaded with 10 rounds and open and empty shotgun staged anywhere. Revolvers loaded with 5 rounds each, holstered.

When ready say "Bonus round."

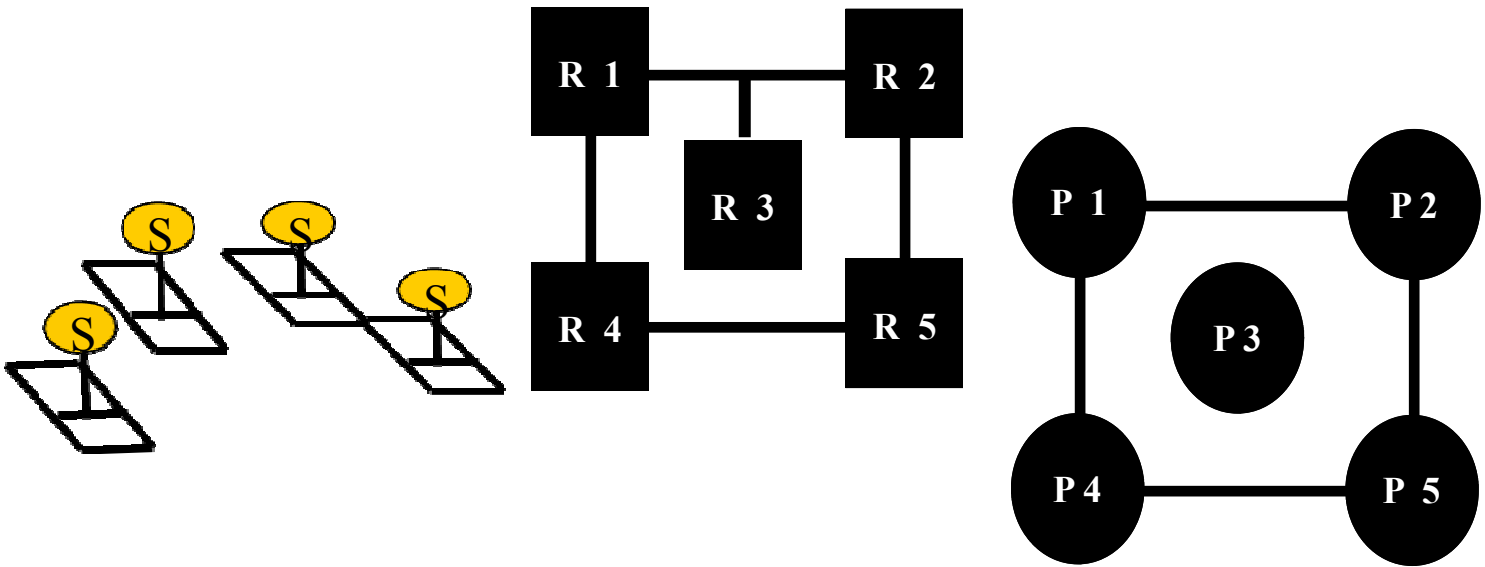
At the buzzer, with revolvers engage the 4 fallers until down THEN dump remaining revolver rounds on buzzard for a 1 second bonus for each round that hits the buzzard. Shooting the buzzard before all 4 fallers are down is a "P" fallers still standing after all 10 rounds are fired are NOT a miss. Move to position 2 and engage T1 through T5 in a continuous Nevada sweep starting on ANY target, move to remaining position and with shotgun engage fallers at that position.

Please leave timer and spotting flags...

STAGE 5 JUNE 2015



10 Revolver, 10 Rifle, 4+ Shotgun



COOSIE'S

Position 1

Position 2

Position 3

Start any where you want, in any position you want, as long as you do not cock the revolver, lever the rifle, or load the shotgun before the buzzer . Rifle loaded with 10 rounds, open and empty shotgun staged anywhere. Revolvers loaded with 5 rounds each, anywhere (holstered, in hand, or staged).

When ready say “Get the one in the middle!!!”

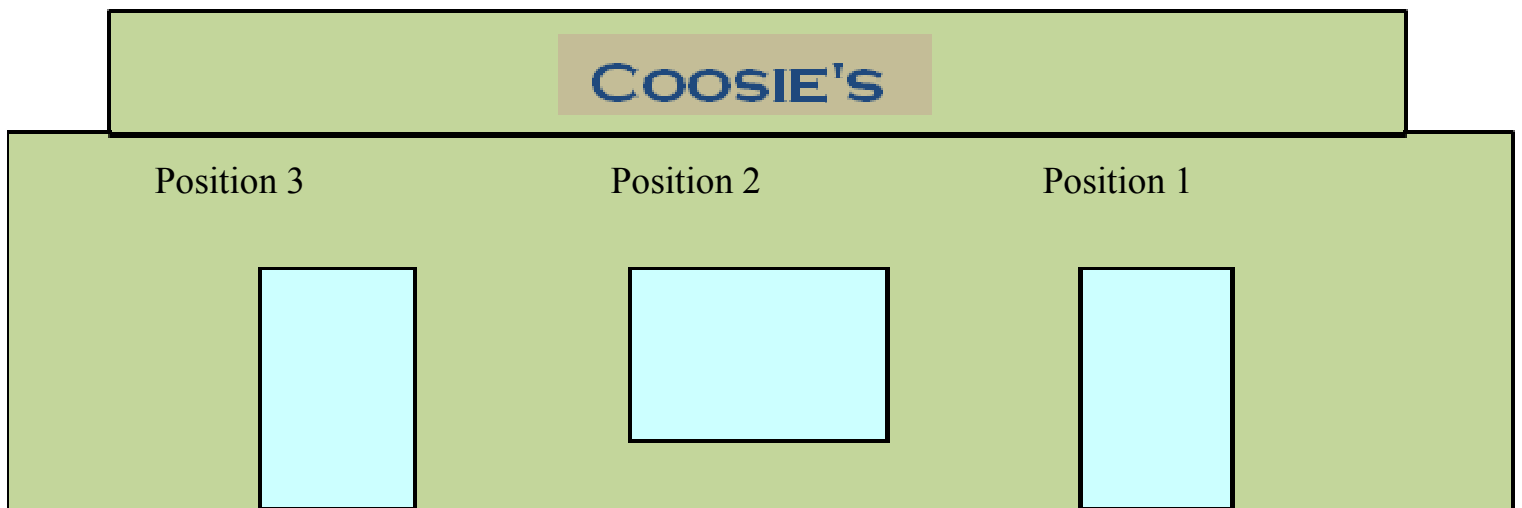
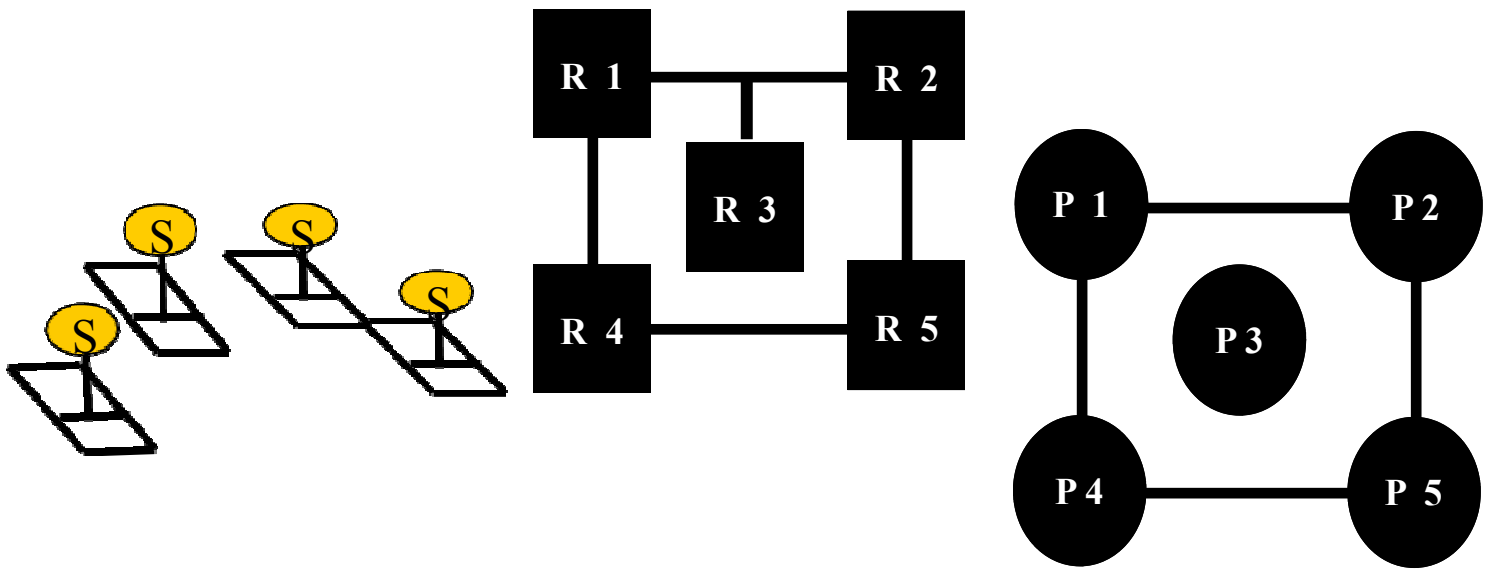
Stage may be shot in any order, however rifle can't be last.

From position 1 with shotgun engage shotgun fallers. From position 2 engage the rack in a diagonal 1-3-1 sweep, going in any direction starting on any target, then another diagonal 1-3-1 sweep using the opposite outside targets, starting on any target. From position 3 engage “P” targets with same instructions as rifle.

Please leave timer and spotting flags...

STAGE 6 JUNE 2015

10 Revolver, 10 Rifle, 4+ Shotgun



Start at position 1 hands on hat. Rifle loaded with 10 rounds, and open/empty shotgun staged anywhere. Revolvers loaded with 5 rounds each and holstered. When ready say "Buckeye fever!"

At the buzzer, with revolvers double tap P3, then sweep P1,P3,P2 starting on either end, then double tap P3 and sweep P4, P3, P5 starting on either end. Shooter may do the Top sweep or the Bottom sweep first. From position 2 with rifle engage rifle targets with same instructions as revolvers. From position 3 engage S targets, inside, inside, outside, outside.

Please leave timer and spotting flags...